



**WACKER
NEUSON**
all it takes!

Compact and wheeled excavators

6 to 15 t



Your reliable solution provider

We provide customers worldwide with an extensive range of construction machines and equipment, spare parts, and services. Since starting our company in 1848, the Wacker Neuson brand has stood for reliability and the power of innovation. Companies from the main construction industry, gardening and landscaping, industry and municipalities, among other sectors, therefore rely on the innovative solutions of Wacker Neuson.

Wacker Neuson - **all it takes!**



Our services

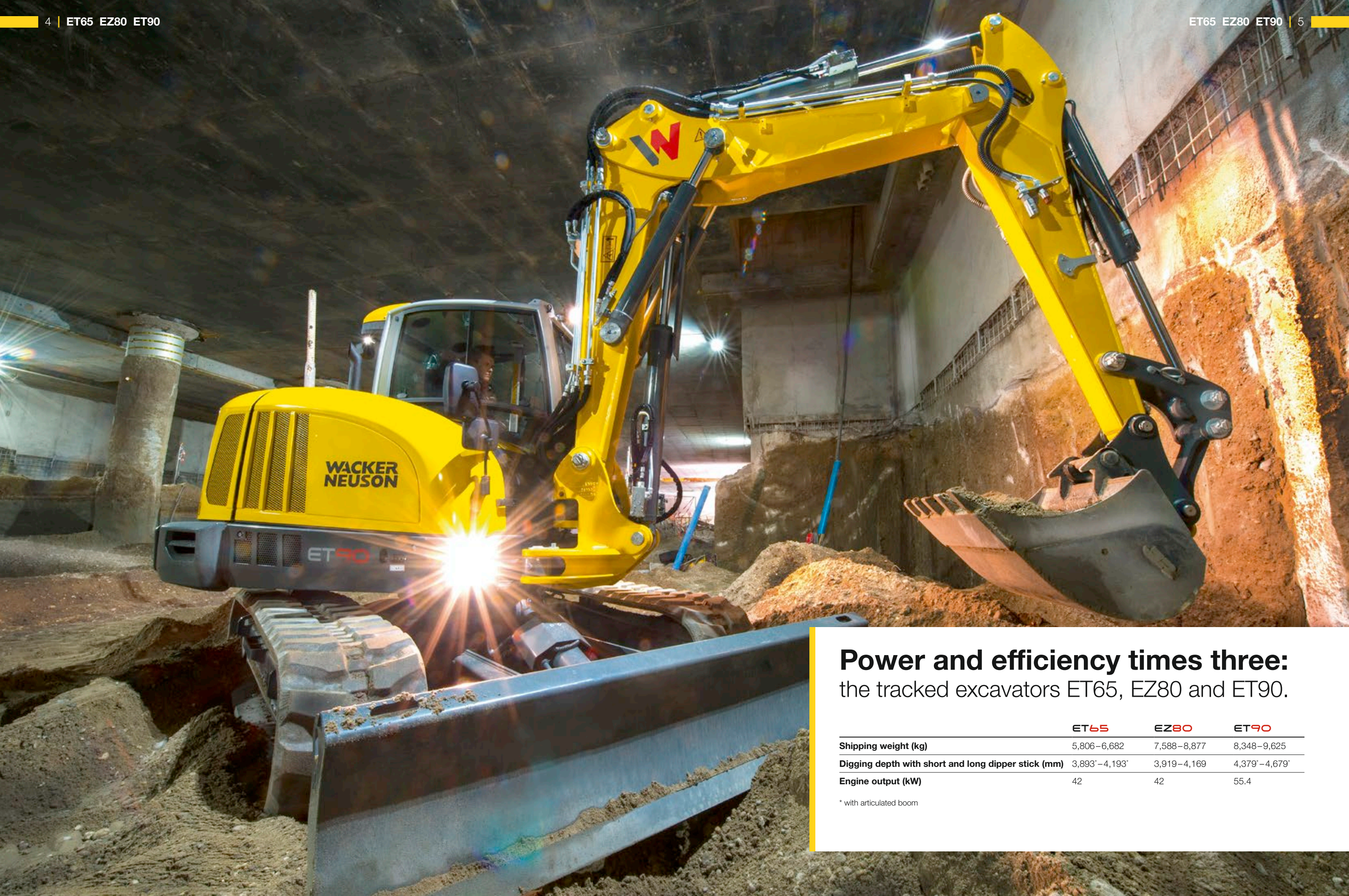
When you need us, we are there. We not only advise you during the purchase of a machine, but also afterwards. You can trust our expert and quick support. Find out about our extensive services for construction machines and construction equipment. With our widespread sales and service network, we are always close by.

Find out more about our services:
wackerneuson.com/services



Contents.

Tracked Excavators ET65, EZ80 and ET90	4
Tracked Excavators ET145	14
Wheeled Excavators EW65	20
Wheeled Excavators EW100	26
Attachments	36
Configuration Options	38
Dimensions	40
Technical Data	41
Lifting Power Table	42



Power and efficiency times three: the tracked excavators ET65, EZ80 and ET90.

	ET65	EZ80	ET90
Shipping weight (kg)	5,806–6,682	7,588–8,877	8,348–9,625
Digging depth with short and long dipper stick (mm)	3,893*–4,193*	3,919–4,169	4,379*–4,679*
Engine output (kW)	42	42	55.4

* with articulated boom

Economically and powerfully.

Overview of all of the ET65, EZ80 and ET90 features.

Quality

- Short hydraulic hoses for less power loss and a long service life
- Large and sturdy aluminum radiator, easy to clean, and with the highest level of cooling performance in its class
- High stability due to a low center of gravity and optional additional rear counterweight

Maintenance

- Quick and easy-to-access maintenance points

Safety

- Up to seven LED headlights around the machine for optimal illumination of the work area
- Eight large tie-downs for safe transport

Versatility

- No tail overhang thanks to the Zero Tail (EZ80)
- Depending on the model, different track versions to choose from



Efficiency

- Articulated boom for greater digging radius and less repositioning (optional for ET65 and ET90)
- Powerful drive system for high performance
- Precise control with any load thanks to load-sensing hydraulic system with LUDV (load-independent flow distribution)
- Thermal resistance enables 100% performance up to an ambient temperature of 45°C

Comfort

- Spacious comfort cabin that can be adjusted to any operator size
- The intuitive operating concept allows for the simple and comprehensive control of the excavator
- Compact and maneuverable due to intelligent arrangement of the components and low height of machine
- Low tank filler point for easy refueling without climbing

Performance

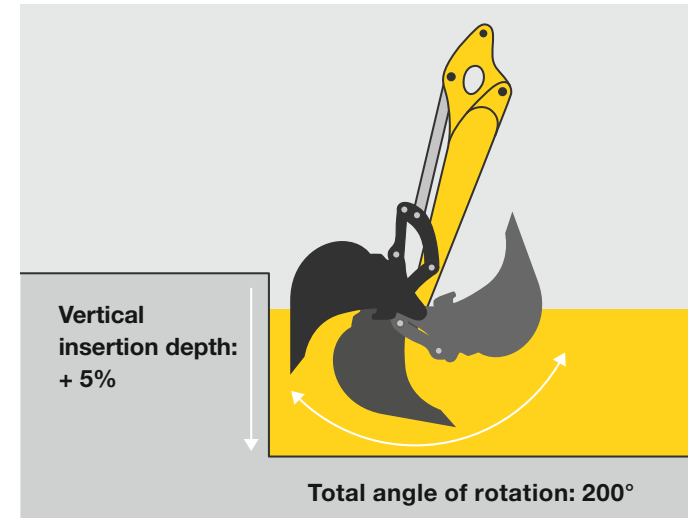
- Up to four optional auxiliary control circuits ex works
- 3-point kinematics for 200° bucket rotation angle and more improved digging specifications and range
- Two operating modes to choose from: full power (POWER) or save fuel (ECO)

Environmental friendliness

- Low engine noise enables easier communication on the construction site
- Diesel particulate filter to meet country-specific, statutory emission regulations

Our three economic miracles.

Strong performance: All three excavators consume up to 20% less fuel than comparable models. Nevertheless, they are best in their class within the range of digging power and break out force. We promised you a miracle.



Unique 3-point kinematics.

The higher torque or the 3-point kinematics as well as the 200° -expanded angle of rotation make the ET65 and ET90 the best in their class in terms of digging power.

- Optimal insertion angle rotation of the bucket
- Digs even deeper vertically
- More powerful excavating
- Improved dumping behavior and less material loss
- Up to 20% more break out force



More productivity and less consumption.

You will get the maximum output with the load-independent flow distribution (LUDV), 3-point kinematics (ET65, ET90), an articulated boom, and a long dipper stick. The machine is streamlined to high productivity as a result of the efficient hydraulics and the



More leeway thanks to articulated boom.

The articulated boom provides you with more maneuverability and therefore greater freedom of action. Because the additional joint permits the bucket to be pulled right up to the travel gear or the dozer blade. Ideal when narrow spaces need to be accessed or an obstacle has to be moved out of the way. The articulated boom is available as an option for the ET65 and ET90 - and also available with a short or long dipper stick.



appropriate mechanical foundation for this. This guarantees up to 30% more productivity on the construction site despite the potential fuel savings of up to 20%. Do more for less - three machines for the highest degree of efficiency.

More cabin comfort.

The ergonomically optimized cab of the ET65, EZ80, and ET90.

Maximum operating comfort is standard with the ET65, EZ80 and ET90. In addition, we offer you numerous options to adapt your excavator to your individual requirements.

Performance

- User-friendly Jog Dial with individually savable settings
- Very low noise levels in the closed cabin
- Two-part windshield that can be completely slid under the cabin roof (standard equipment)

Comfort

- Sun blind standard
- Comfortable and intuitive joystick operation concept: with all the important functions on both joysticks
- Powerful air-conditioning system for a pleasant working temperature at all times
- Fully lined cabin interior with a variety of storage compartments
- Air-cushioned comfort seat including seat heating for increased operator comfort and height adjustment

Safety

- Optimal visibility due to the offset arm position
- Large skylight for the best view, even upwards
- Lateral sliding window
- LED headlights for even better illumination
- Rear-view camera with 7" multi-functional display for an ideal view to the rear



Innovative windshield system.

The two-part front windshield allows for optimal ventilation in the cabin in any weather. In addition, it makes it easier to

communicate with the operator. A separate removal and storage of the window is a thing of the past.



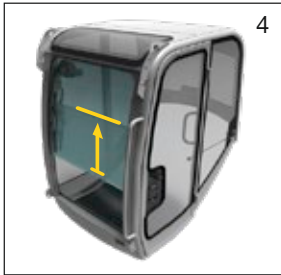
Closed front windshield - two glass windows keep water and wind out.



The upper front window can be pushed under the cabin roof. The lower pane serves as splash protection.



The lower window slides behind the upper window. Ideal for communicating with colleagues.

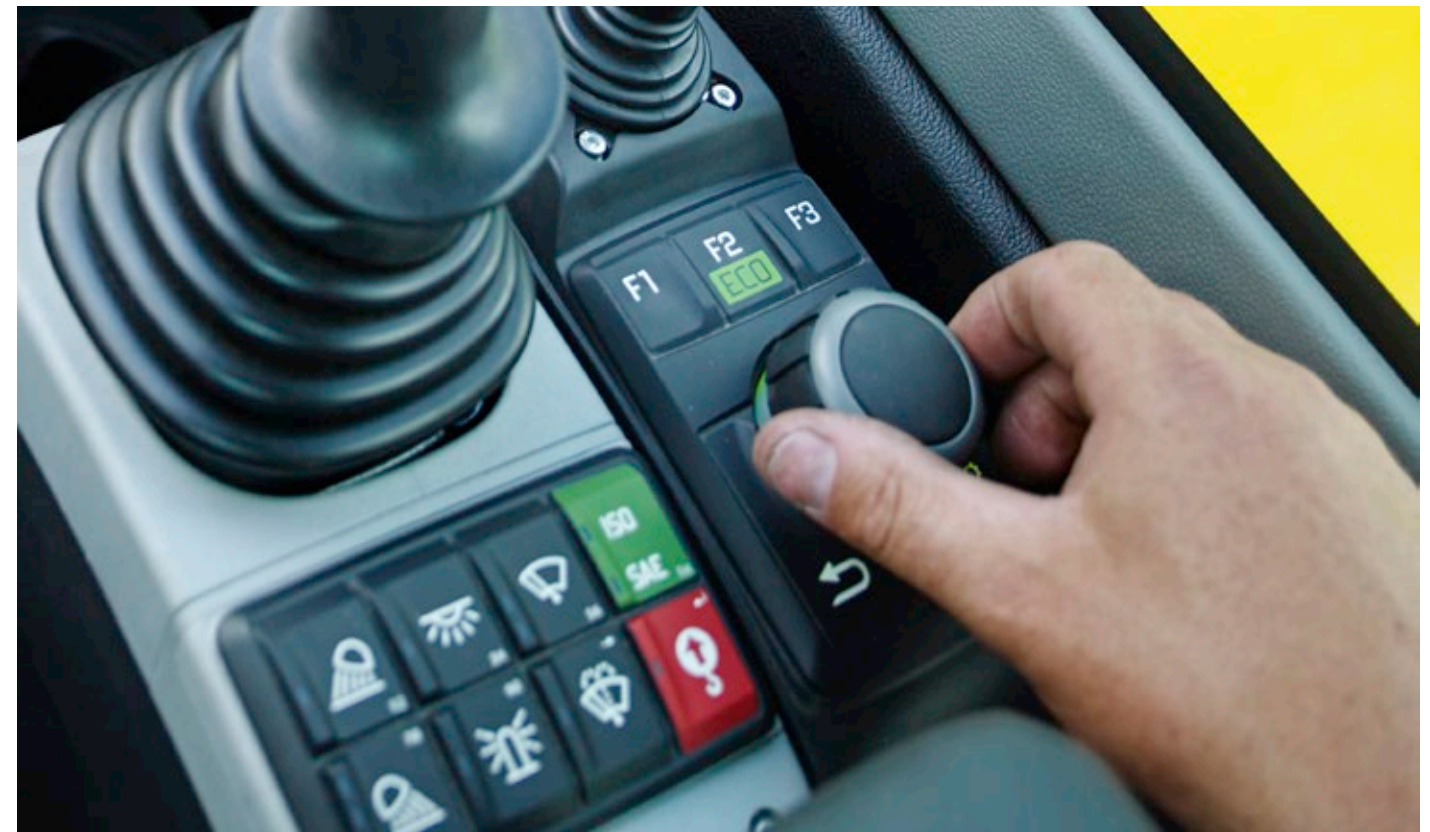


If necessary, both panes are pushed below the cabin roof where they are stored safely.

Default settings at the touch of a button.

The Jog Dial system, familiar from the automotive area, including a clear display, allows the operator an intuitive selection of the right operating settings via a press-rotary button, as well as

various settings via a keypad. Via the Jog Dial, you can for example save and access the liter quantity or saving/retrieving release for attachments.





Individuality through variety.

Put together your perfect working unit from a variety of ex works, available options, such as:

- Up to 5 additional control circuits, of which 3 are individually adjustable
- Diesel particulate filter
- Air-cushioned and heated seat
- 7 LED lights
- 4 track versions
- Custom-made paint finish in automotive quality
- Rearview camera
- Automatic air conditioning
- Counterweight
- Panolin hydraulic oil
- And much more

All-rounder on the construction site: the tracked excavators ET65, EZ80 and ET90.



Simple maintenance. Simple repair.

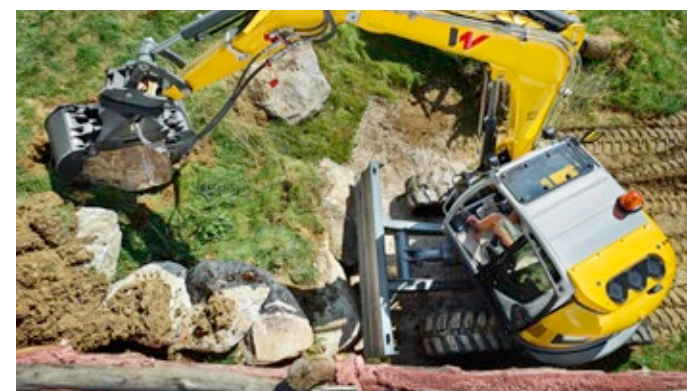
The high productivity of our machines is not just due to the sturdy technology. Most service work can be completed in a short time due to quick and easily accessible maintenance points. Professional maintenance and repairs done by our technicians and original spare parts by Wacker Neuson also extend the service life of your machines.



Reduced dimensions.

Whether during transportation or in tight spaces: Thanks to their compact design, the ET65, EZ80 and the ET90 can easily be taken to your next job site. And on the construction site, the machines can maneuver anywhere — even in confined spaces. You can benefit from high efficiency in all applications.

- Very low entry height
- Reduced dimensions due to the intelligent component arrangement
- Higher level of stability due to the low center of gravity



The EZ80 with minimal tail overhang.

Enable the safe and precise work directly against walls or other obstacles on the construction site, and, as a result, a large range of application for the machine. Safety around the machine is also increased and injuries can be prevented.



Attachment area with many application areas.

Thanks to up to 5 auxiliary control circuits, the machines are ideally prepared for the application of a range of attachments, and in conjunction with a quickhitch system they can also be changed over without a great deal of effort in a short amount of time.



One of our largest compacts:
the tracked excavator ET145.

ET145

Shipping weight (kg)	14,917–15,701
Digging depth with short and long dipper stick (mm)	5,000–5,500
Engine output (kW)	55.4

Output, maneuverability, and stability.

An overview of the ET145 features.

Comfort

- Comfortable, fully glazed cab
- Intuitive operating concept enables the simple and extensive control of the excavator using a Jog Dial and display
- Large, multi-functional 7 inch display shows all functions and camera images
- Air-conditioning installed as standard

Maintenance

- Optimal maintenance access for quick, favorably priced service
- Sturdy aluminum radiator improves the cooling performance and is easy to clean
- Cabin is easy to remove for servicing and repair works

Safety

- Eight large tie-downs for safe transport
- Six LED work lights for optimal illumination of the work area

Versatility

- With AUX I auxiliary hydraulics, diverse attachments can be used
- AUX II (3rd control circuit) optionally available
- Three track versions for any application



Environmental friendliness

- Low noise pollution for easy communication on the construction site
- Lower emissions with the same performance due to the diesel particulate filter (no SCR necessary)

Efficiency

- Swivel console offers more flexibility in excavation work and saves time
- Jog Dial for intuitive selection of the correct operating settings via the press-rotary button
- Extensive application options through up to five auxiliary control circuits ex works, of which three can be adjusted individually
- Thermal resistance enables 100% performance up to an ambient temperature of 45°C
- Three operating modes: ECO mode, HI mode and LOW mode for work demanding different outputs

Performance

- Constant power engine for full power at any working speed and low consumption
- Two pre-set operating modes: POWER or fuel-saving ECO mode
- Standard dozer blade for maximum lifting power and stability
- Two travel speeds
- Compact dimensions ensure a high level of safety during transport and entering, as well as a high level of stability

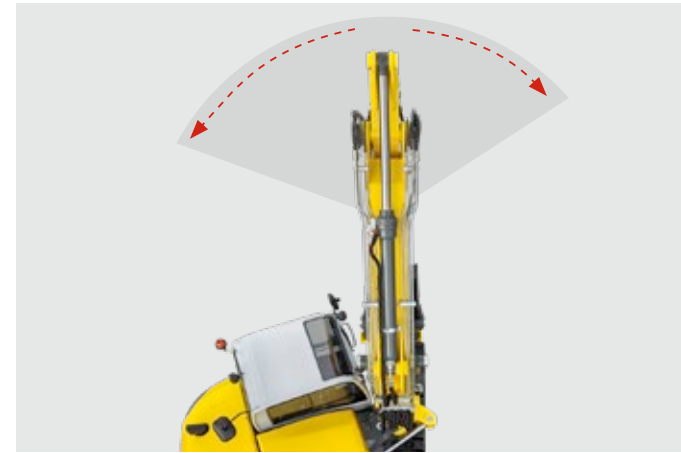
The best of both worlds.

The ET145 combines the productivity of a large excavator model with the advantages of a compact excavator, such as:

- High maneuverability
- Easy transport
- Different track versions
- High digging power, such as with much larger excavators



The champion in the compact class: the tracked excavator ET145.



Swivel console for higher productivity.

The swivel console makes the ET145 into a real highlight in its weight class. This allows you an increased excavation area to the right and left. The swivel console enable work along walls, trenches, or obstacles and improve the area of visibility, e.g. for excavation works in a canal area.



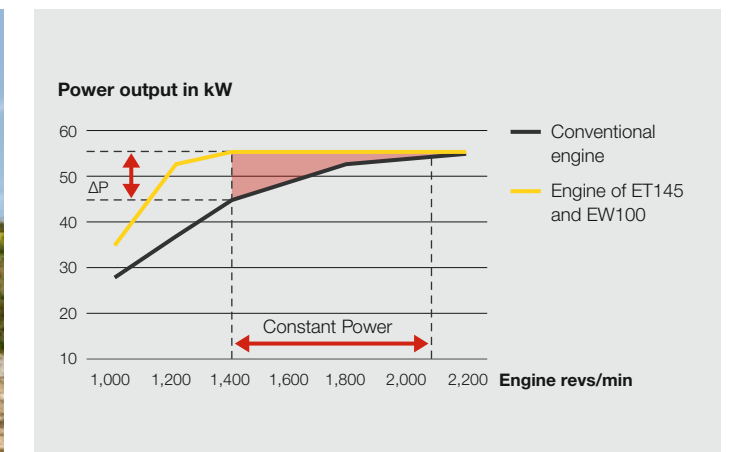
Large, ergonomic comfort cabin

Sitting position, armrests and joystick can be individually adjusted. On the large display the operator can see both the image of the rear-view camera and the programmable discharge volumes for the additional control circuits and information on the machine. The Jog Dial can be comfortably operated from the seat position. The cabin is equipped with an air-conditioning system as standard.



Efficient engine.

The 55.4-kW-engine offers excellent digging power with low consumption, and fulfills the current exhaust emission standards. Consumption is reduced and the environment is protected as a result of the automatic idling speed control and diesel particulate filter.



Full power even at low rpm.

Even at low speed the ET145's engine develops its full power, which it is able to maintain. As a result of this, it is a clear advantage when compared with conventional engines.



**Power and speed,
perfectly combined:**
the wheeled excavator EW65.

	EW65
Shipping weight (kg)	6,472–7,720
Digging depth with short and long dipper stick (mm)	3,596*–3,895*
Engine output (kW)	42

* with articulated boom

Efficient and fast.

An overview of the EW65 features.

Efficiency

- Articulated boom for bigger digging radius and less repositioning
- Optimal positioning of hydraulic components
- Powerful drive system for high performance
- Precise control with any load thanks to load-sensing hydraulic system with LUDV (load-independent flow distribution)
- Extensive application options due to up to four additional control circuits ex works
- Thermal resistance enables 100% performance up to an ambient temperature of 45°C

Performance

- 3-point kinematics improves the break out force, insertion depth, and dumping height
- Two pre-set operating modes: POWER or fuel-saving ECO mode
- Closed driving circuit, variable from 0 to 30 km/h without gear selection

Environmental friendliness

- Low noise pollution for easy communication on the construction site
- Environmentally sound and sustainable due to diesel particulate filter (optional)



Comfort

- Low overall height
- The intuitive operating concept allows for the simple and comprehensive control of the excavator
- Powerful automatic climate control
- Seat heating
- Innovative front windshield system with rain cover function
- Extensively equipped, fully-glazed comfort cab
- Speed regulation system, ideal for municipal work such as mowing, milling, and mulching

Maintenance

- Optimal maintenance access for quick, favorably priced service
- Tilttable cabin and removable chassis cover for easy maintenance
- Long-life aluminum radiator with high thermal stability, easy and quick to clean

Versatility

- Numerous attachments thanks to the optional auxiliary control circuits
- Construction site change on its own axle
- Up to 30 km/h fast
- Compact design for easy transport and more application options

Safety

- LED work lights for optimal illumination of the work area
- 7-inch multifunction display incl. rear-view camera as standard
- Six large lashing points for quick lashing and secure transport
- Individual support versions: dozer blade or stabilizers, rear, front or both sides

More power and range thanks to the 3-point kinematics.

The bucket pivot point and thus the torque increases due to an additional bolt in the joint (articulated) rod linkage. The advantage in numbers:

- Up to 20% higher break out force
- 5% greater insertion depth
- 10% greater dumping height



Captivating on all terrains: the wheeled excavator EW65.



Sophisticated working area.

The seat, armrests, and joystick position can be individually adjusted. Operation is easy and intuitive - identical to the ET65. The tried and tested front windshield system makes communication with the operator easier. To open completely, the windshield can simply be slid under the cabin roof, where it can then be fixed.



Increased stability.

A stable, good footing is essential – above all during heavy excavation work or on difficult ground conditions. For support, you can use a dozer blade or support stabilizers – both in front or in the rear or in any combination.



More leeway thanks to articulated boom.

Optionally available with the EW65, the articulated boom with a short or long dipper stick provides you with more maneuverability and therefore greater freedom of action. So not only can you excavate deeper, but the additional joint also makes it possible to pull the bucket all the way to the travel gear or the dozer blade. Ideal when narrow spaces need to be accessed or an obstacle has to be moved out of the way.



Both powerful and sensitive.

Thanks to the load-sensing hydraulics with LUDV (load-independent flow distribution), the power can be adjusted to the situation.



Innovative thinking: the wheeled excavator EW100.

	EW100
Shipping weight (kg)	10,320 - 11,550
Digging depth with long dipper stick (mm)	4,968
Engine output (kW)	55/100

Developed for the construction site 4.0.

An overview of the EW100 features.

Efficiency

- Optimal positioning of hydraulic components
- Grade Assist removal function supports the machine on the construction site
- HMI (Human Machine Interface) saves different user settings and construction site information both clearly and efficiently
- Pre-set attachment interface as standard to communicate with other equipment in the construction process

Environmental friendliness

- Auto-stop function switches the machine off when it is not being used
- ECO function in street mode and ECO mode with intelligent power splitting in ongoing construction site work
- Low-emission stage 5 engine with automatic rpm

Versatility

- Pallet fork operation ex works
- Preparations with 2D & 3D controls ex works
- Preparations for assistance systems and attachment control ex works without necessary modifications



Safety

- 360° stability - even with a high load the machine remains stable in all directions
- Very good all-round visibility as a result of the low engine hood, deep-glazed windows and doors, as well as high accessible loading dock
- Active Working Signal (AWS) at the rear signals commissioning, changeover of attachments and the braking of the machine in road travel mode
- Flexible cylinder rod protection provides protection against damage without the need to change
- Auto-brake function automatically brakes as soon as the foot is removed from the accelerator
- Entry, handles and steps in signal color

Performance

- Highest performance across all areas, among others strongly increased auxiliary hydraulics and engine output
- Trailer operation, braked for up to 12t towing load
- 40 km/h maximum speed
- Joystick steering
- 3-point kinematics for 200° bucket rotation angle and 20% improved digging specifications
- 20% more swing power for tilt-rotator applications

Comfort

- Thermal management with auto-warm-up and auxiliary heating
- Removable toolbox incl. power connection, as well as tank filler point at optimal operating height
- Easy fuel-filling from the ground

Highest performance across all areas.

With its high engine output, the EW100 achieves the best specification when accelerating and a top-speed of up to 40 km/h. The improved auxiliary hydraulics output also enables the use of a number of attachments.



Setting new standards for the future: the wheeled excavator EW100.

Attachment interface.

The EW100 is equipped ex works for an upgrade with an attachment interface. This enables a development of the machine software with future development within the field of digitization without the need to execute any conversions to the machine.

With this, communication can be performed directly with the attachments via the machine and the construction process can be optimized.



Preparations for assistance systems and attachment control.

The machine is already prepared ex works for the retrofitting of assistance systems or attachment controls. These can be retrofitted without a great deal of effort via software updates.

As a result of this, it is possible to avoid both cost and time-intensive conversions.



Very good all-round visibility.

The machine's design has, in particular, been optimized for the operator in terms of the range of visibility. For example, the right tire is easily visible in the normal seat position. This increases, among other things, the safety for the operator and the construction site area.



Human Machine Interface.

The wheeled excavator EW100 saves individual settings and information for different operators and construction sites. The saved data can be reactivated through selection on the standard 10-inch touchscreen display and the work can be continued.

The operator-based machine setting stores both personal key assignment for the operator's own comfort, as well as attachment and flow rate settings per user.



360° stability.

The machine also stands secure on the ground, even with high weights. With the 360° stability it is also possible to move large loads, even without the machine becoming unstable. With the op-

timal balance, the machine's lateral stability also increases by 25%





Compact and powerful.

The EW100 combines the dimensions of a compact machine with the output of a 14-ton excavator. The 20% more swing power for tilt-rotator applications and the proven 3-point kinematics with the swivel console provide even more freedom of movement. 200°

bucket rotation angle, 20% improved digging specifications and, as a result, 360° stability make the EW100 a powerful construction site aid.



Many attachments, minimal effort.

Simply select, attach and go. Attachments that are already saved are partly automatically coupled and the operator no longer needs to leave the machine for this. The machine learns to recognize intelligent attachments and to communicate with them. Manual

attachments can be stored once and, as a result, need only be selected in future by pressing on the display and then recognized.

**“Next level” of wheeled excavators:
Best equipped now for the future.**



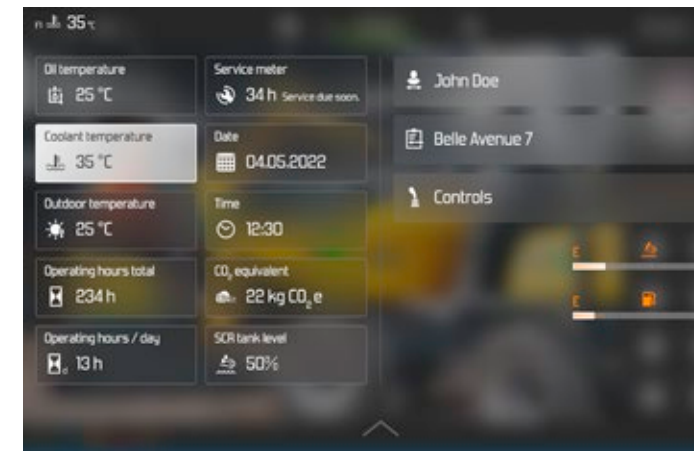
Trailer operation up to 12 tons.

Thanks to its high output, the EW100 is prepared for trailer operation (braked up to 12 tons). As a result, additional transport vehicles can be saved for attachments or small machines.



Select and go.

Already pre-configured and manually stored attachments can be simply and intuitively changed over at any time. The operator is guided through the individual save and setting options.



Customizing made easy.

If desired, an in-house user, the current construction site, and in-house joysticks can be configured to ensure the optimal production run with a guaranteed feeling of comfort. With this the operator has all of the important details immediately available to him. Different construction sites can be retrieved after inputting, and all information regarding this can be retrieved.



Low in maintenance and service.

The increased maintenance intervals and an integrated self-check system enormously minimize the downtimes of the machine. Should an error arise, the troubleshooting saves high costs and can also provide information about the current status of the machine via a remote diagnosis.

Attachments.

Quick hitch systems



EasyLock+.

With the hydraulic quick hitch system EasyLock+, you can changeover the attachment in just a few seconds by a press of a button from the operator's seat. With this you can be even more flexible and productive.

In addition to the normal dipper operation, the system also enables use as a face shovel. As a result, the new EasyLock+ is even more safe and fulfills all the requirements of current standard specifications.



Powertilt.

The Powertilt swivel unit is available as an option and can be combined with both Easy Lock+ and the Lehmatic quick hitch system. This allows the attachment to be rotated by up to 90° per side – ideal for leveling, mulching, or demolition work.

Lehmatic.

With the Lehmatic quick coupler system, you have the option to select between the mechanical and hydraulic system. The system has a long service life and is functionally reliable, even in hard applications. The hydraulic system is equipped with a "double-lock" retainer. The Lehmatic quick hitch system is available both with or without the Powertilt.

The right machine for every application.

Boom types.

Wacker Neuson offers you different types of booms for excavating, separating, transporting and shaking off soils or other bulk materials. These are available both for EasyLock+ and for Lehmatic quickhitch systems.

To be equipped from the outset for all situations, there are a number of predefined boom sets for ex works. You can find more information from your local sales partner.



Bucket with blade



Bucket with teeth



Ditch or trench cleaning bucket



Swivel bucket incl. hydraulic hoses and couplings



Hydraulic breakers.

Our range of hydraulic breakers as attachments for mini excavators, compact excavators and wheeled excavators is ideal for demolition and renovation work. The energy recovery system offers you a high level of productivity. The output directly at the hammer remains constant and reliably high as a result of the innovative system.



Power grab.

The power grab is ideally coordinated to our machine and provides an extensive range of application options, from gardening and landscaping through to demolition work. Sorting and demolition grabs, and multi-purpose grabs are available in different sizes for ex works.

Configuration options

Cab

	ET65	EZ80	ET90	ET145	EW65	EW100
Side mirror (rear-view mirror)	●	●	●	●	●	●
FOPS protective grating level 1	●	●	●	○	●	●
FOPS protective grating level 2*	○	○	○	○	○	○
1-door cabin (sliding window)	●	●	●	●	●	●
Automatic air conditioning	○	○	●	●	○	●
Air-cushioned operator's seat	○	○	○	○	○	○
Air-cushioned operator's seat with heated seat	-	-	-	-	-	○
Radio installation	●	●	●	-	●	●
Radio incl. Bluetooth intercommunication station	○	○	○	●	○	●
Auxiliary heating	-	-	-	-	-	○
Sun shade	-	-	-	-	●	●

Hydraulics

	ET65	EZ80	ET90	ET145	EW65	EW100
AUX I	○	○	○	●	○	○
AUX II	○	○	○	○	○	○
Flat-faced coupler	○	○	○	○	○	○
Panolin HLP Synt46 (Bio)	○	○	○	○	○	○
Auxiliary hydraulics proportional control / AUX I	●	●	●	●	●	●
Flow control valve 3. control circuit /	○	○	○	○	○	○
Overload valve for auxiliary hydraulics /	○	○	○	●	○	○
Control circuit for grapple / AUX V	○	○	○	○	○	○
Safe load indicator Basic	●	●	●	-	-	-
Overload warning device Advanced	○	○	○	●	●	●
Preparation for Easy Lock / AUX IV	○	○	○	○	○	○
Preparation for power tilt / AUX III	○	○	○	○	○	○
3. control circuit/AUX II	○	○	○	●	○	○

Paint

	ET65	EZ80	ET90	ET145	EW65	EW100
Special paint 1 RAL	○	○	○	○	○	○
Custom paintwork 1 no RAL	○	○	○	○	○	○
Special paint cab/canopy RAL	○	○	○	○	○	○

Security

	ET65	EZ80	ET90	ET145	EW65	EW100
Security 24 C (2,000 h)	○	○	○	○	○	○
Security 36 C (3,000 h)	○	○	○	○	○	○
Security 48 C (4,000 h)	○	○	○	○	○	○
Security 60 C (5,000 h)	○	○	○	○	○	○

Other

	ET65	EZ80	ET90	ET145	EW65	EW100
All-wheel steering	-	-	-	-	-	●
Attachment operation complete	-	-	-	-	-	○
Attachment operation preparation	-	-	-	-	-	○
Working light mounted to boom	●	●	●	●	●	●
Front and rear work lights	○	○	○	●	○	○
Auto-stop function	-	-	-	-	-	○

* only with additional protective grate ● Standard ○ Option - not available

Other

	ET65	EZ80	ET90	ET145	EW65	EW100
AWS (Active Working Signal)	-	-	-	-	-	○
Counterweight	○	○	○	-	-	-
Balloon tires	-	-	-	-	●	●
Diesel filling pump	○	○	○	●	○	○
Automatic RPM speed control	●	●	●	●	●	●
EquipCare 36 months (including app & manager)	○	○	○	○	○	○
Drive signal	○	○	○	-	○	○
Rubber track*	●	●	●	○	-	-
Hybrid track*	○	○	○	○	-	-
Joystick steering	-	-	-	-	-	○
LED lighting	○	○	○	-	○	○
Long dipper stick	○	○	○	○	○	●
Optional joysticks with configuration option	-	-	-	-	-	○
Pallet fork operation complete	-	-	-	-	-	○
Pallet fork operation preparation	-	-	-	-	-	●
Front or rear dozer blade	-	-	-	-	○	○
Front or rear stabilizer support	-	-	-	-	○	○
Rearview camera	○	○	○	●	●	●
Reverse alarm	-	-	-	-	-	○
LED rotating beacon	○	○	○	○	○	○
Green LED rotating beacon	-	-	-	-	-	○
Bucket cylinder hose breakage protection	-	-	-	-	-	○
Dirt traps	-	-	-	-	-	○
Vibration dampening load unit	-	-	-	-	-	○
Steel track*	○	○	○	●	-	-
Road traffic regulation accessories	-	-	-	-	○	○
Speed regulation system	-	-	-	-	○	○
ISO - SAE switch-over	○	○	○	○	○	○
Steering logic switch-over	-	-	-	-	-	○
Articulated boom	○	-	○	-	○	●
Preparation of assistance systems	-	-	-	-	-	●
KAT Drive interlock	○	○	○	○	○	○
Tool box	-	-	-	-	-	○
Central lubrication system	-	-	-	-	-	○
Dual tires	-	-	-	-	○	○
Twin tires with intermediate ring	-	-	-	-	-	○
30 km/h	-	-	-	-	○	●
40 km/h	-	-	-	-	-	○

Assembled attachments

	ET65	EZ80	ET90	ET145	EW65	EW100
Easy Lock	○	○	○	-	○	○
Easy Lock + Powertilt	○	○	○	-	○	○
Easy Lock + Powertilt + load hook	○	○	○	-	○	○
Hyd. Lehnhoff quick hitch system + load hook	○	○	-	○	○	○
Hyd. Lehnhoff quick hitch system + Powertilt + load hook	○	○	-	○	○	○
Mechanical quick hitch system	○	○	○	○	○	○
OilQuick + load hook	-	-	-	○	-	○
OilQuick + Powertilt + load hook	-	-	-	○	-	○

* different widths possible depending on the model ● Standard ○ Option - not available

Dimensions

	Unit	ET65	EZ80	ET90	ET145	EW65	EW100	
A	Height	mm	2,478	2,562	2,562	2,790/ 2,825 ⁽⁴⁾	2,775	2,963
B	Width of travel gear, retracted (track / tires)	mm	1,950	2,250	2,250	2,490	1,832 2,088 ⁽¹⁾	2,450
C	Transport length (short dipper stick)	mm	6,128/ 6,100 ⁽³⁾	6,939	7,117/ 6,468 ⁽³⁾	7,720	6,114/ 6,220 ⁽³⁾	-
C	Transport length (long dipper stick)	mm	6,135/ 6,210 ⁽³⁾	6,944	7,139/ 6,690 ⁽³⁾	7,790	6,137/ 6,349 ⁽³⁾	6,707
D	Max. digging depth (short dipper stick)	mm	3,757/ 3,879 ⁽³⁾	3,919	4,325/ 4,379 ⁽³⁾	5,000	3,531/ 3,596 ⁽³⁾	-
D	Max. digging depth (long dipper stick)	mm	4,003/ 4,184 ⁽³⁾	4,169	4,625/ 4,679 ⁽³⁾	5,500	3,831/ 3,895 ⁽³⁾	4,968
E	Max. vertical insertion depth (short dipper stick)	mm	2,431/ 2,811 ⁽³⁾	1,915	3,192/ 3,198 ⁽³⁾	3,100	2,088/ 2,465 ⁽³⁾	-
E	Max. vertical insertion depth (long dipper stick)	mm	2,704/ 3,095 ⁽³⁾	2,124	3,474/ 3,456 ⁽³⁾	3,600	2,361/ 2,737 ⁽³⁾	3,039
F	Max. insertion height (short dipper stick)	mm	5,759/ 6,539 ⁽³⁾	6,620	7,322/ 7,931 ⁽³⁾	8,300 ⁽⁵⁾	6,068/ 6,834 ⁽³⁾	-
F	Max. insertion height (long dipper stick)	mm	5,940/ 6,774 ⁽³⁾	6,782	7,529/ 8,196 ⁽³⁾	8,600 ⁽⁵⁾	6,250/ 7,067 ⁽³⁾	8,069
G	Max. dumping height (short dipper stick)	mm	3,993/ 4,684 ⁽³⁾	4,587	5,066/ 5,674 ⁽³⁾	5,700/ 5,659 ⁽⁴⁾	4,207/ 4,961 ⁽³⁾	-
G	Max. dumping height (long dipper stick)	mm	4,714/ 4,916 ⁽³⁾	4,749	5,272/ 5,940 ⁽³⁾	6,000	4,389/ 5,195 ⁽³⁾	6,260
H	Max. digging radius (short dipper stick)	mm	6,224/ 6,601 ⁽³⁾	6,955	7,331/ 7,596 ⁽³⁾	8,300	6,220/ 6,590 ⁽³⁾	-
H	Max. digging radius (long dipper stick)	mm	6,508/ 6,890 ⁽³⁾	7,190	7,620/ 7,889 ⁽³⁾	8,800	6,504/ 6,877 ⁽³⁾	7,713
I	Max. reach at ground level (short dipper stick)	mm	6,100/ 6,487 ⁽³⁾	6,795	7,179/ 7,463 ⁽³⁾	8,100	6,024/ 6,406 ⁽³⁾	-
I	Max. reach at ground level (long dipper stick)	mm	6,391/ 6,779 ⁽³⁾	7,036	7,474/ 7,751 ⁽³⁾	8,600	6,318/ 6,706 ⁽³⁾	7,503
J	Min. tail swing radius	mm	1,363	1,228	1,583	2,015	1,459	1,690
K	Max. boom offset to center of bucket (right/left)	mm	766/ 492	705/ 683	705/ 683	850/ 640	766/ 492	940 / 625
L	Max. stacking height dozer blade above subgrade (short/long)	mm	403	474	479	492/ 532 ⁽⁴⁾	395	390
M	Max. scraping depth of dozer blade under subgrade (short/long)	mm	427	523	518	531/ 493 ⁽⁴⁾	301	136
N	Total track length	mm	2,516	2,826	2,826	3,605	2,887	3,193
O	Max. swing angle of arm system to the right	°	63	63	63	57	63	55
P	Max. swing angle of arm system to the left	°	67	67	67	70	67	70
Q	Track/tire width	mm	400	450	450	500	300/ 457 ⁽¹⁾	490 / 514 / 577
R	Boom swing radius, center	mm	2,453 3,159 ⁽³⁾	2,869	2,503 2,840 ⁽³⁾	2,814	2,465 2,605 ⁽³⁾	3,141

⁽¹⁾ Dual tires ⁽²⁾ Balloon tires ⁽³⁾ with articulated boom ⁽⁴⁾ with hybrid track ⁽⁵⁾ with steel track

Technical data

General

	Unit	ET65	EZ80	ET90	ET145	EW65	EW100
Shipping weight	kg	5,806–6,682	7,588–8,877	8,348–9,625	14,917–15,701	6,472–7,720	10,320–11,550
Operating weight	kg	6,078–7,358	7,918–9,544	8,710–10,506	15,551–17,275	6,755–8,647	10,625–11,855
Max. ripping force*	kN according to ISO 6015	30.8	43.7	46	69	30.8	44
Max. break out force	kN according to ISO 6015	50.7	68	73.8	91	50.7	73.3

Engine

	Unit	ET65	EZ80	ET90	ET145	EW65	EW100
Drive output	according to ISO kW/hp	42/57.1	42/57.1	55.4/75.3	55.4/75.3	42/57.1	55/75 100/136*
Fuel tank volume	l	85	85	85	205	85	190
Emission standard	-	Stage V					

Hydraulics

	Unit	ET65	EZ80	ET90	ET145	EW65	EW100
Hydraulic system / pumps	-	LUDV with variable displacement pump				Negative control with dual variable displacement pump and 2 gear pumps	LUDV with variable displacement pump, separate travel pump
Max. flow rate	l/min	144	160	175	2x118+20+36	158.4+99	"180+106 170+171**
Operating pressure for work and drive hydraulics	bar	240	300	300	340	240/420	300 / 470
Operating pressure for swing gear	bar	215	240	240	320	215	240
Auxiliary hydraulics, max. discharge volume	l/min	107	113	113	121	107	120

Travel gear

	Unit	ET65	EZ80	ET90	ET145	EW65	EW100
Ground clearance	mm	284	357	370	480	237	293 / 301 / 310
Max. travel speed	km/h	5.2	4.4	5	5	up to 30	40
Ground pressure of basic machine	kg/cm ²	0.35	0.36	0.40	0.50	-	-

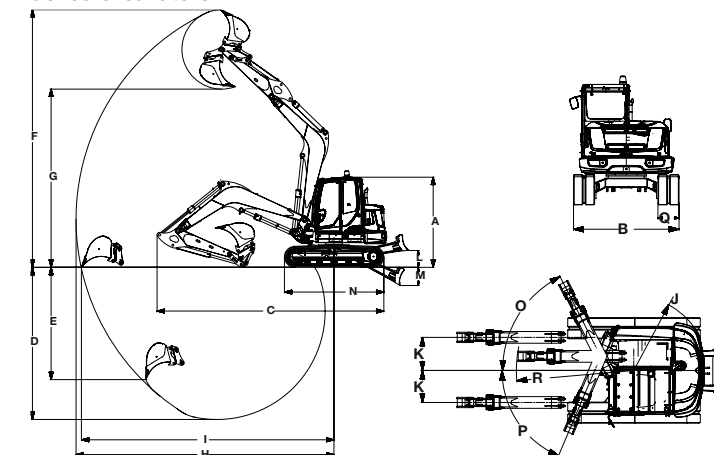
Noise emissions

	Unit	ET65	EZ80	ET90	ET145	EW65	EW100
Sound power level (LWA)	dBA acc. to 2000/14/EC	97	97	99	99	97	tba
Emission sound pressure level (LpA)	dBA acc. to ISO 6394	77	79	79	75	77	tba

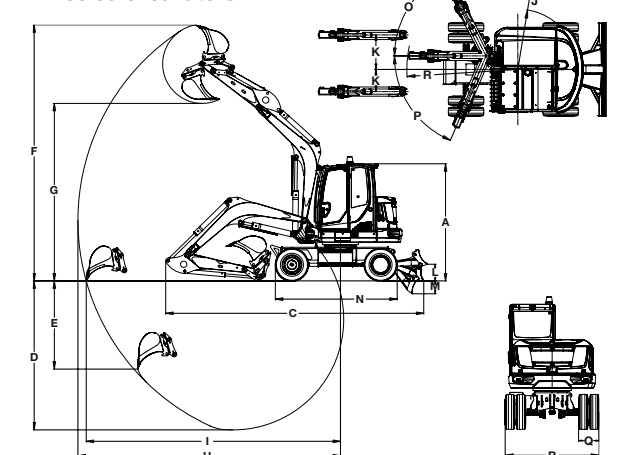
*short dipper stick

All information relates to the base machine. Subject to changes.

Tracked excavators



Wheeled excavators



Lift capacity tables

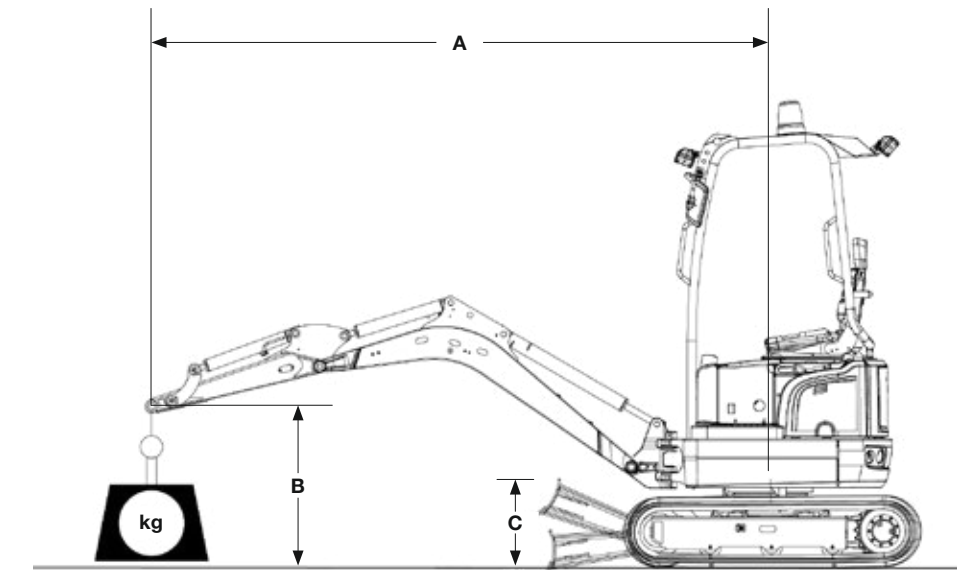
ET65

A	MAX																													
	5.0 m				4.0 m				3.0 m				2.0 m																	
	C		D		C		D		C		D		C		D															
B	Blade up		Blade down		Blade up		Blade down		Blade up		Blade down		Blade up		Blade down		Blade up		Blade down											
	from	up to	from	up to	from	up to	from	up to	from	up to	from	up to	from	up to	from	up to	from	up to	from	up to										
4.0 m	817	1,291*	1,099	1,291*	663	1,144	840	1,011	1,095	1,095*	683	833	1,060	1,244*	1,060	1,244*	936	1,244*	-	-	-	-	-	-	-	-				
3.0 m	672	1,080*	1,150	1,280*	535	902	794	1,043	1,086	1,149*	669	871	1,115	1,308*	1,115	1,308	1,002	1,252	1,580	1,580*	1,580	1,580*	-	-	-	-	-			
2.0 m	593	955*	1,121	1,301*	471	797	753	1,021	1,157	1,313*	639	850	1,145	1,446	1,341	1,474	923	1,208	1,621	2,090*	1,621	2,090*	1,431	1,852	2,751	2,751*	2,751	2,751*		
1.0 m	562	915*	1,105	1,339*	443	758	722	993	1,238	1,401*	597	822	1,056	1,383	1,600	1,738	838	1,138	1,602	2,140	2,350	2,549*	1,241	1,723	3,447	4,183	4,277	4,597*	2,508	3,086
0 m	569	938*	1,009	1,387*	446	776	716	972	1,271	1,441*	561	804	991	1,331	1,703	1,908	776	1,090	1,515	2,028	2,539	2,856*	1,160	1,622	2,850	4,092	4,362	5,419*	2,237	3,080
-1.0 m	619	1,048*	984	1,437*	486	864	697	952	1,131	1,360*	545	784	959	1,314	1,605	1,894	746	1,074	1,486	2,010	2,273	2,812*	1,132	1,605	3,130	4,149	3,240	5,007*	2,235	3,085
-2.0 m	749	1,356*	911	1,456*	585	1,112	-	-	-	-	-	-	969	1,308	1,227	1,639	755	1,068	1,510	2,041	1,744	2,461*	1,155	1,633	2,363	4,125*	2,363	4,125*	2,300	3,148

All table values are given in kg in a horizontal position on a solid surface and without bucket.

EZ80

A	MAX																													
	5.0 m				4.0 m				3.0 m				2.0 m																	
	C		D		C		D		C		D		C		D															
B	Blade up		Blade down		Blade up		Blade down		Blade up		Blade down		Blade up		Blade down															
	from	up to	from	up to	from	up to	from	up to	from	up to	from	up to	from	up to	from	up to														
4.0 m	905	1,173	1,949	2,094*	987	1,287	1,048	1,235	1,900	2,074*	1,143	1,368	1,588	1,806	2,043	2,043*	1,713	1,999	-	-	-	-	-	-	-	-	-	-	-	-
3.0 m	766	991	1,946	2,079*	834	1,086	1,030	1,217	1,996	2,131*	1,124	1,341	1,496	1,744	2,140	2,340*	1,648	1,950	-	-	-	-	-	-	-	-	-	-	-	-
2.0 m	729	904	2,069	2,098*	797	991	983	1,170	2,224	2,336*	1,076	1,288	1,392	1,640	2,677	2,859*	1,538	1,837	2,155	2,574	3,752	4,164*	2,441	2,934	-	-	-	-	-	-
1.0 m	668	875	2,008	2,134*	731	961	932	1,119	2,467	2,546*	1,017	1,234	1,288	1,536	3,217	3,346*	1,429	1,717	1,929	2,317	5,041	5,275*	2,196	2,656	-	-	-	-	-	-
0 m	682	899	2,054	2,176*	747	989	894	1,081	2,607	2,637*	970	1,195	1,211	1,470	3,513	3,561*	1,349	1,645	1,832	2,216	5,417	5,417*	2,094	2,545	-	-	-	-	-	-
-1.0 m	746	993	2,094	2,206*	819	1,096	882	1,069	2,530	2,470*	949	1,183	1,178	1,448	3,415	3,462*	1,314	1,621	1,807	2,208	4,975	5,131*	2,066	2,536	3,712	4,517	8,173	9,014*	4,594	5,615
-2.0 m	909	1,236	2,092	2,165*	1,002	1,372	-	-	-	-	-	-	1,188	1,469	2,780	2,979*	1,324	1,643	1,834	2,246	4,000	4,311*	2,095	2,577	3,791	4,598	6,240	7,144*	4,686	5,711



Meaning of abbreviations in tables

- A: Outreach from middle of rotating assembly
- B: Height of load hook
- MAX: Permissible load with extended dipper stick
- C: Dozer blade up or down, in travel direction – except EW100: against travel direction
- D: Dozer blade up, revolving superstructure 90° to travel direction

* Lift capacity limited by hydraulics

Actual lift capacity depends on the outfitting of the machine. You can find these in the respective operator's manual.

ET90

A	MAX																													
	6.0 m				5.0 m				4.0 m				3.0 m																	
	C		D		C		D		C		D		C		D															
B	Blade up		Blade down		Blade up		Blade down		Blade up		Blade down		Blade up		Blade down															
	from	up to	from	up to	from	up to	from	up to	from	up to	from	up to	from	up to	from	up to														
4.0 m	1,026	1,568	1,624	1,847*	960	1,383	1,083	1,265	1,621	1,621*	1,013	1,173	1,511	1,857*	1,702	1,857*	1,409	1,649	1,769	2,016*	1,769	2,016*	1,769	2,016*	-	-	-	-	-	-
3.0 m	903	1,369	1,567	1,818*	845	1,207	1,069	1,251	1,633	1,715*	999	1,159	1,459	1,826*	1,823	1,964*	1,358	1,606	2,073	2,294*	2,073	2,294*	1,942	2,252	2,488	3,028*	2,488	3,028*	2,488	3,028*
2.0 m	839	1,272	1,528	1,814*	784	1,119	1,030	1,212	1,695	1,753*	962	1,124	1,383	1,759	1,995	2,145*	1,285	1,542	1,948	2,470	2,515	2,681*	1,790	2,146	3,139	3,809	3,402	3,943*	2,813	3,296*
1.0 m	816	1,241	1,493	1,821*	763	1,089	988	1,170	1,747	1,778*	922	1,089	1,309	1,693	2,145	2,309*	1,213	1,479	1,808	2,337	2,831	3,032*	1,657	2,019	2,850	3,595*	4,166	4,625*	2,546	3,027
0 m	833	1,272	1,452	1,828*	778	1,114	956	1,138	1,733	1,718*	890	1,066	1,258	1,647	2,200	2,369*	1,154	1,435	1,720	2,254	2,937	3,155*	1,572	1,941	2,657	3,477	4,209	4,636*	2,366	2,919
-1.0 m	892	1,382	1,377	1,820*	832	1,209	946	1,128	1,574	1,574*	881	1,041	1,239	1,628	2,104	2,251*	1,126	1,417	1,680	2,227	2,736	3,057*	1,534	1,916	2,964	3,469	3,707	4,368*	2,349	2,912
-2.0 m	1,040	1,640	1,257	1,756*	968	1,430	-	-	-	-	-	-	1,254	1,649	1,778	1,778*	1,134	1,438	1,689	2,241	2,252	2,708*	1,543	1,929	2,676	3,484*	2,955	3,757*	2,384	2,946

ET145

A	MAX																														
	6.0 m				5.0 m				4.0 m				3.0 m																		
	C		D		C		D		C		D		C		D																
B	Blade up		Blade down		Blade up		Blade down		Blade up		Blade down		Blade up		Blade down																
	from	up to	from	up to	from	up to	from	up to	from	up to	from	up to	from	up to	from	up to															
6.0 m	2,368	2,878	2,879	3,271*	2,544	3,094	-	-	-	-	-	-	2,569	2,946	2,569	3,234*	2,569	3,167*	-	-	-	-	-	-	-	-	-	-	-	-	-
4.0 m	1,677	1,909	2,966	3,301*	1,807	2,055	2,145	2,200	2,874	3,263*	2,307	2,365	2,862	2,893	2,866	3,349*	2,866	3,113*	3,572	3,572*	3,572	3,572*	3,572	3,572*	-	-	-	-	-	-	-
2.0 m	1,462	1,664	3,485	3,152*	1,580	1,775	2,015	2,050	3,545	3,828*	2,175	2,213	2,605	2,671	4,142	4,543*	2,818	2,887	3,528	3,660	5,370	6,064*	3,836	3,977	-	-	-	-	-	-	-
0 m	1,471	1,668	3,413	3,758*	1,594	1,805	1,884	1,927	4,182	4,303*	2,043	2,087	2,408	2,448	5,234	5,400*	2,617	2,659	3,247	3,293	7,159	7,333*	3,550	3,598	4,891	5,002	10,898*	11,140*	5,416	5,534	
-2.0 m	1,772	2,093	3,752	4,094*	1,921	2,269	1,858	1,883	4,029	4,029*	2,016	2,044	2,355	2,443	4,992	5,217*	2,563	2,654	3,201	3,308	6,629	6,958*	3,502	3,614	4,927	5,096	9,238*	10,030*	5,453	5,632	
-4.0 m	3,520	3,562	4,038	4,038*	3,837	3,884	-	-	-	-	-	-	-	-	-	-	-	-	-	-	-	-	-	-	5,240	5,302	5,812*	5,812*	5,416	5,812*	

EW65

A	MAX																														
	5.0 m				4.0 m				3.0 m				2.0 m																		
	C		D		C		D		C		D		C		D																
B	Blade up		Blade down		Blade up		Blade down		Blade up		Blade down		Blade up		Blade down																
	from	up to	from	up to	from	up to	from	up to	from	up to	from	up to	from	up to	from	up to															
4.0 m	1,019	1,227*	1,083	1,227*	726	1,207	1,079	1,079*	1,079	1,079*	806	883	1,125	1,240*	1,125	1,240*	1,125	1,240*	-	-	-	-	-	-	-	-	-	-	-	-	-
3.0 m	869	1,229*	1,047	1,229*	614	1,002	1,105	1,226*	1,105	1,226*	782	1,009	1,255	1,360*	1,255	1,360*	1,132	1,252*	1,523	1,721*	1,523*	1,721*	1,523	1,721*	-	-	-	-	-	-	-
2.0 m	798	1,255*	1,031	1,255*	559	914	1,186	1,281*	1,186	1,281*	746	984	1,466	1,554*	1,466	1,554*	1,048														

Wacker Neuson – all it takes



Concrete technology



Vibratory rammer



Vibratory plates



Rollers



Demolition technology



Generators



Lighting



Pumps



Excavators



Wheel loaders



Telehandlers



Dumpers



Financial solutions



Repair & Maintenance



Academy



EquipCare & EquipCare Pro



Rental



Concrete specialists



eStore



Spare parts



Used machines



ConcreTec

