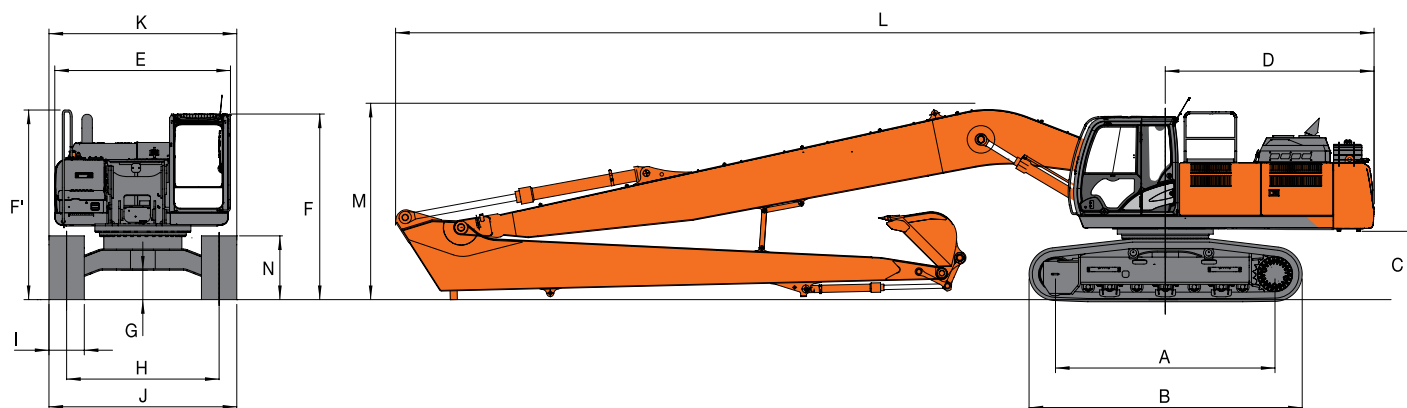


SPECIFICATIONS

ZX350LC / ZX350LCN TYPE HE20LD SUPER LONG FRONT

DIMENSIONS

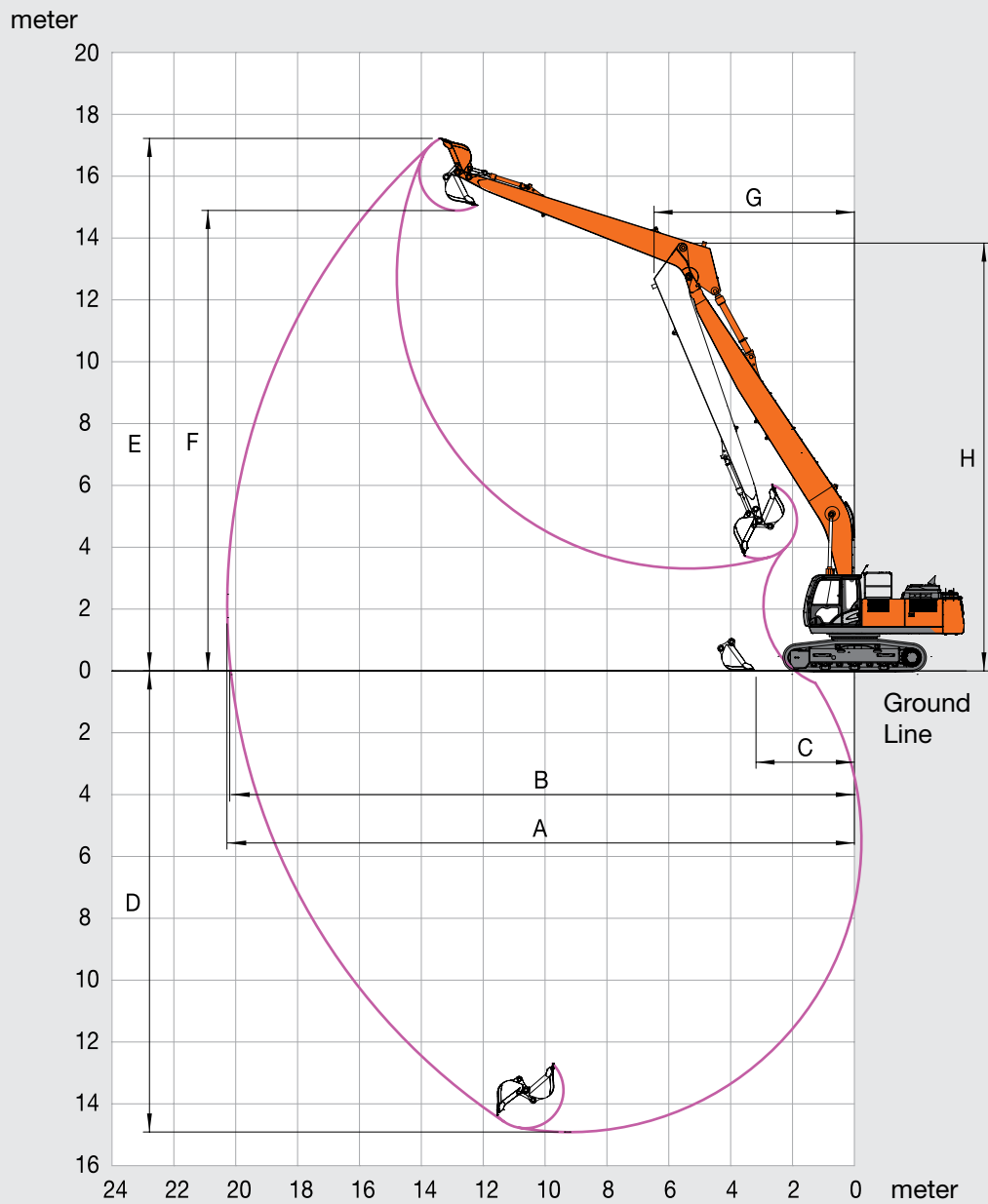


Unit: mm

	ZX350LC TYPE HE20LD	ZX350LCN TYPE HE20LD
A Distance between tumbler	4 050	4 050
B Undercarriage length	4 950	4 950
*C Counterweight clearance	1 160	1 160
D Rear-end swing radius	3 600	3 600
E Overall width of upperstructure	2 990	2 990
F Overall height of cab	3 150	3 150
F' Overall height of handrail	3 220	3 220
*G Min. ground clearance	500	500
H Track gauge	2 590	2 390
I Track shoe width	600 / 700 / 800	600 / 700
J Undercarriage width	3 190 / 3 290 / 3 390	2 990 / 3 090
K Overall width	3 190 / 3 290 / 3 390	2 990 / 3 090
L Overall length	16 710	16 710
M Overall height of boom	3 350	3 350
N Track height with triple grouser shoes	1 070	1 070

•*: Excluding track shoe lug

WORKING RANGES



Unit: mm

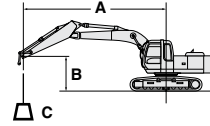
		ZX350LC / ZX350LCN TYPE HE20LD
A	Max. digging reach	20 260
B	Max. digging reach (on ground)	20 150
C	Max. level crowding distance	3 180
D	Max. digging depth	14 910
E	Max. cutting height	17 220
F	Max. dumping height	14 890
G	Min. swing radius	6 470
H	Min. swing radius height	13 840
Bucket digging force ISO		74 kN (7 510 kgf)
Arm crowd force ISO		65 kN (6 600 kgf)

• Excluding track shoe lug

Note: Working range can be changed, depending on bucket size.

Metric measure

- Notes:
1. Ratings are based on ISO 10567.
 2. Lifting capacity of the ZAXIS series does not exceed 75% of tipping load with the machine on firm, level ground or 87% full hydraulic capacity.
 3. The load point is the center-line of the bucket pivot mounting pin on the arm.
 4. * Indicates load limited by hydraulic capacity.
 5. 0m = Ground.
- For lifting capacities, subtract bucket and quick hitch weight from lifting capacities.



A: Load radius
B: Load point height
C: Lifting capacity

ZX350LC HE20LD SUPER LONG FRONT

Rating over-front

Rating over-side or 360 degrees

Unit: kg

Conditions	Load point height m	Load radius m												
		3.0		4.5		6.0		7.5		9.0		10.5		
Boom 11.80 m	6.0												3 300*	3 300*
Arm 8.20 m	4.5			9 110*	9 110*	6 500*	6 500*	5 070*	5 070*	4 160*	4 160*	3 540*	3 540*	
Counterweight	3.0			3 790*	3 790*	7 360*	7 360*	5 590*	5 590*	4 500*	4 500*	3 770*	3 770*	
8 870 kg	1.5			2 290*	2 290*	6 580*	6 580*	6 030*	6 030*	4 810*	4 810*	3 990*	3 910	
Additional counterweight	0 (Ground)			2 400*	2 400*	5 140*	5 140*	6 330*	5 590	5 050*	4 450	4 170*	3 630	
1 070 kg	-1.5	1 910*	1 910*	2 940*	2 940*	5 020*	5 020*	6 480*	5 260	5 190*	4 180	4 290*	3 410	
600 mm grouser shoe	-3.0	2 730*	2 730*	3 640*	3 640*	5 420*	5 420*	6 490*	5 090	5 240*	4 010	4 340*	3 260	
	-4.5	3 540*	3 540*	4 430*	4 430*	6 090*	6 090*	6 350*	5 030	5 190*	3 920	4 320*	3 180	
	-6.0	4 380*	4 380*	5 300*	5 300*	6 960*	6 960*	6 090*	2 050	5 020*	3 910	4 210*	3 150	
	-7.5	5 260*	5 260*	6 270*	6 270*	6 920*	6 920*	5 690*	5 140	4 740*	3 960	3 990*	3 180	
	-9.0	6 220*	6 220*	7 370*	7 370*	6 160*	6 160*	5 140*	5 140*	4 330*	4 060	3 660*	3 260	
	-10.5	7 270*	7 270*	6 150*	6 150*	5 190*	5 190*	4 410*	4 410*	3 740*	3 740*	3 160*	3 160*	
	-12.0			4 460*	4 460*	3 950*	3 950*	3 430*	3 430*	2 930*	2 930*	2 430*	2 430*	
	-13.5							2 110*	2 110*	1 770*	1 770*	1 310*	1 310*	

Conditions	Load point height m	Load radius m								At max. reach				
		12.0		13.5		15.0		16.5		18.0				meter
Boom 11.80 m	15.0			1 940*	1 940*							1 540*	1 540*	13.9
Arm 8.20 m	13.5					1 680*	1 680*					1 470*	1 470*	15.2
Counterweight	12.0					2 180*	2 180*					1 430*	1 430*	16.2
8 870 kg	10.5			2 340*	2 340*	2 190*	2 190*	2 020*	2 020*			1 410*	1 410*	17.0
Additional counterweight	9.0			2 410*	2 410*	2 230*	2 230*	2 090*	2 090*			1 410*	1 410*	17.7
1 070 kg	7.5	2 760*	2 760*	2 500*	2 500*	2 290*	2 290*	2 130*	2 130*	1 750*	1 750*	1 420*	1 420*	18.2
600 mm grouser shoe	6.0	2 910*	2 910*	2 610*	2 610*	2 370*	2 370*	2 180*	2 110	2 020*	1 710	1 450*	1 450*	18.6
	4.5	3 080*	3 080*	2 730*	2 730*	2 460*	2 460*	2 230*	2 020	2 050*	1 650	1 510*	1 470	18.9
	3.0	3 250*	3 250*	2 850*	2 820	2 540*	2 320	2 290*	1 930	2 090*	1 600	1 570*	1 400	19.0
	1.5	3 410*	3 200	2 970*	2 650	2 620*	2 210	2 340*	1 840	2 120*	1 540	1 660*	1 360	19.0
	0 (Ground)	3 540*	3 000	3 060*	2 500	2 690*	2 100	2 390*	1 760	2 130*	1 490	1 780*	1 340	18.9
	-1.5	3 630*	2 830	3 130*	2 370	2 730*	2 000	2 410*	1 700	2 120*	1 450	1 920*	1 350	18.7
	-3.0	3 680*	2 710	3 160*	2 280	2 750*	1 940	2 390*	1 650	2 080*	1 430	2 010*	1 390	18.3
	-4.5	3 660*	2 640	3 140*	2 220	2 710*	1 900	2 340*	1 640			2 020*	1 450	17.8
	-6.0	3 570*	2 610	3 050*	2 210	2 620*	1 890	2 210*	1 650			2 020*	1 560	17.2
	-7.5	3 390*	2 630	2 880*	2 230	2 430*	1 920					2 000*	1 710	16.4
	-9.0	3 090*	2 700	2 590*	2 290	2 100*	2 000					1 960*	1 940	15.4
	-10.5	2 630*	2 630*	2 120*	2 120*							1 860*	1 860*	14.2
	-12.0	1 920*	1 920*									1 660*	1 660*	12.7
	-13.5											1 220*	1 220*	10.7

ZX350LCN HE20LD SUPER LONG FRONT

Rating over-front

Rating over-side or 360 degrees

Unit: kg

Conditions	Load point height m	Load radius m												
		3.0		4.5		6.0		7.5		9.0		10.5		
Boom 11.80 m	6.0												3 300*	3 300*
Arm 8.20 m	4.5			9 110*	9 110*	6 500*	6 500*	5 070*	5 070*	4 160*	4 160*	3 540*	3 540*	
Counterweight	3.0			3 790*	3 790*	7 360*	7 360*	5 590*	5 590*	4 500*	4 500*	3 770*	3 770*	
8 870 kg	1.5			2 290*	2 290*	6 580*	6 580*	6 030*	5 560	4 810*	4 410	3 990*	3 560	
Additional counterweight	0 (Ground)			2 400*	2 400*	5 140*	5 140*	6 330*	5 050	5 050*	4 030	4 170*	3 290	
1 070 kg	-1.5	1 910*	1 910*	2 940*	2 940*	5 020*	5 020*	6 480*	4 730	5 190*	3 760	4 290*	3 070	
600 mm grouser shoe	-3.0	2 730*	2 730*	3 640*	3 640*	5 420*	5 420*	6 490*	4 560	5 240*	3 600	4 340*	2 930	
	-4.5	3 540*	3 540*	4 430*	4 430*	6 090*	6 090*	6 350*	4 500	5 190*	3 510	4 320*	2 840	
	-6.0	4 380*	4 380*	5 300*	5 300*	6 960*	6 270	6 090*	4 530	5 020*	3 500	4 210*	2 820	
	-7.5	5 260*	5 260*	6 270*	6 270*	6 930*	6 430	5 690*	4 620	4 740*	3 550	4 000*	2 840	
	-9.0	6 220*	6 220*	7 370*	7 370*	6 160*	6 160*	5 140*	4 770	4 330*	3 650	3 660*	2 920	
	-10.5	7 270*	7 270*	6 150*	6 150*	5 190*	5 190*	4 410*	4 410*	3 740*	3 740*	3 160*	3 060	
	-12.0			4 460*	4 460*	3 950*	3 950*	3 430*	3 430*	2 930*	2 930*	2 440*	2 440*	
	-13.5							2 110*	2 110*	1 770*	1 770*	1 310*	1 310*	

Conditions	Load point height m	Load radius m								At max. reach				
		12.0		13.5		15.0		16.5		18.0				meter
Boom 11.80 m	15.0			1 940*	1 940*							1 540*	1 540*	13.9
Arm 8.20 m	13.5					1 680*	1 680*					1 470*	1 470*	15.2
Counterweight	12.0					2 180*	2 180*					1 430*	1 430*	16.2
8 870 kg	10.5			2 350*	2 350*	2 190*	2 190*	2 020*	2 020*			1 410*	1 410*	17.0
Additional counterweight	9.0			2 410*	2 410*	2 230*	2 230*	2 090*	2 040			1 410*	1 410*	17.7
1 070 kg	7.5	2 760*	2 760*	2 500*	2 500*	2 290*	2 290*	2 130*	1 980	1 750*	1 570	1 420*	1 420*	18.2
600 mm grouser shoe	6.0	2 910*	2 910*	2 610*	2 610*	2 370*	2 360	2 180*	1 910	2 020*	1 530	1 450*	1 390	18.6
	4.5	3 080*	3 080*	2 730*	2 730*	2 460*	2 240	2 230*	1 830	2 050*	1 480	1 510*	1 300	18.9
	3.0	3 250*	3 150	2 850*	2 570	2 540*	2 110	2 290*	1 740	2 090*	1 420	1 580*	1 240	19.0
	1.5	3 400*	2 910	2 970*	2 400	2 620*	1 990	2 350*	1 650	2 120*	1 360	1 660*	1 200	19.0
	0 (Ground)	3 530*	2 710	3 060*	2 250	2 690*	1 880	2 400*	1 570	2 130*	1 310	1 780*	1 180	18.9
	-1.5	3 630*	2 550	3 130*	2 130	2 740*	1 790	2 410*	1 510	2 120*	1 270	1 920*	1 190	18.7
	-3.0	3 680*	2 430	3 160*	2 040	2 750*	1 720	2 400*	1 460	2 080*	1 250	2 010*	1 220	18.3
	-4.5	3 660*	2 360	3 140*	1 980	2 710*	1 680	2 340*	1 440			2 020*	1 280	17.8
	-6.0	3 570*	2 330	3 050*	1 960	2 620*	1 680	2 210*	1 450			2 020*	1 380	17.2
	-7.5	3 390*	2 350	2 880*	1 980	2 340*	1 710					2 000*	1 520	16.4
	-9.0	3 090*	2 420	2 590*	2 050	2 100*	1 790					1 960*	1 730	15.4
	-10.5	2 640*	2 540	2 120*	2 120*							1 860*	1 860*	14.2
	-12.0	1 920*	1 920*									1 660*	1 660*	12.7
	-13.5											1 220*	1 220*	10.7