



DV90

Dual View Trucks



The DV90 Dual View sets new standards in terms of operator and construction site safety, flexibility and economic efficiency. The dual view concept allows a comfortable and quick change of the seat position through a 180° turn of the entire operating and seat console. In this way, the operator always has perfect vision in the direction of travel - during transportation, loading and unloading. The rotation can be performed conveniently from the driver's seat by simply unlocking the seat console and turning it around.

Always be on the safe side with a better view

With the seat position, the operator changes the line of sight and the forward direction of travel. Time-consuming turning and maneuvering is therefore no longer necessary.

Especially on small, cramped construction sites, for example in inner city areas, in tunnels or on busy roads, the DV90 Dual View fully demonstrates its benefits and strengths:

- the driver steers the wheel dumpers with skip in the direction of travel to the construction site
- loads or unloads with a complete view of the loading area
- and leaves after a 180° turn of the seat console the same way with full field of view and without having to turn the vehicle.

That way, the operator always keeps an eye on the work environment - and that means significantly more safety. Even a fully loaded skip no longer obstructs the view, because the driver leaves the skip behind him like with a truck.



**WACKER
NEUSON**
all it takes!



High driving position:

The Dual View safely runs as a construction truck, but is significantly more suitable for off-road applications.

High working position:

Full load monitoring and precise dumping.

Optimal view = more safety



180° rotation of the entire driver's station



More safety

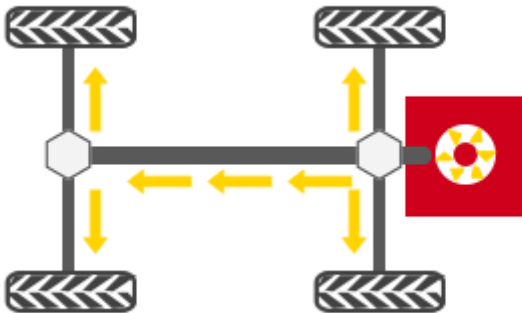


Higher productivity



Hydrostatic drive

- The vehicle stops as soon as the operator takes his foot off the gas pedal
- Full focus on the job without frequent gear changes
- One central hydraulic motor that drives both axles via a cardan shaft
- Hydrostatic braking effect as soon as the foot is removed from the accelerator pedal
- Low-wear drive for low service and maintenance costs
- Controlled deceleration for regulated changeover, thus no abrupt changes of travel
- Accelerate from 0 to maximum speed of 20km/h without loss of traction



More ease of use thanks to the ergonomic rotary console.

Easy 180° rotation - time-consuming turning maneuvers are obsolete.

1. Joystick handle with direction change switch and dump operation, so one hand can always stay on the steering wheel.
2. Multifunction display for machine functions
3. Standard rear-view camera monitor, so you can always see the skip in any seating position.
4. Steering column with tilt adjustment simplifies safe entry and exit
5. Additional storage space
6. Ball bearing slewing ring for quick change of the seat position

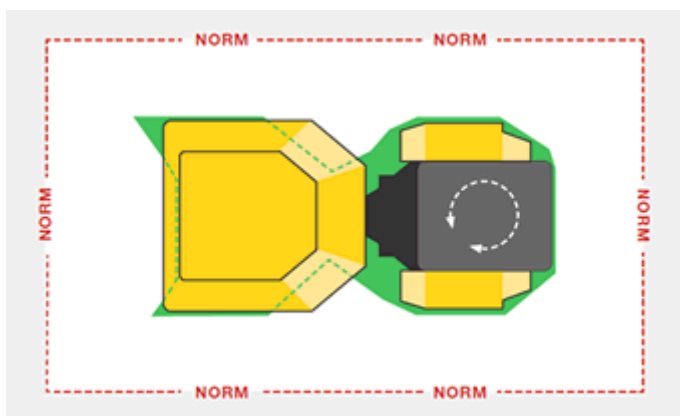


Simply see more.

The DV90 Dual View stands out clearly from the requirements of the field of view standard ISO 5006: 2017.

Beyond the green marked area, the operator can see a height of 1.2 m from the cabin in the dual view.

Beyond the dashed line, it is required to see a height of 1.2 m according to the ISO field of view standard.



Comfort cabin

The DV90 Dual View provides plenty of head and legroom inside the cabin. It is equipped with heating as standard and air



conditioning is optionally available. The operator can work under ideal temperature conditions in summer as well as in the winter times. For extra safety, the cabin is always equipped with ROPS/FOPS Level II.



Driving direction



Skip direction

Entering the driver's cab

Safe and comfortable ascent to the driver's station. The steps are highlighted with color for better visibility.



**WACKER
NEUSON**
all it takes!



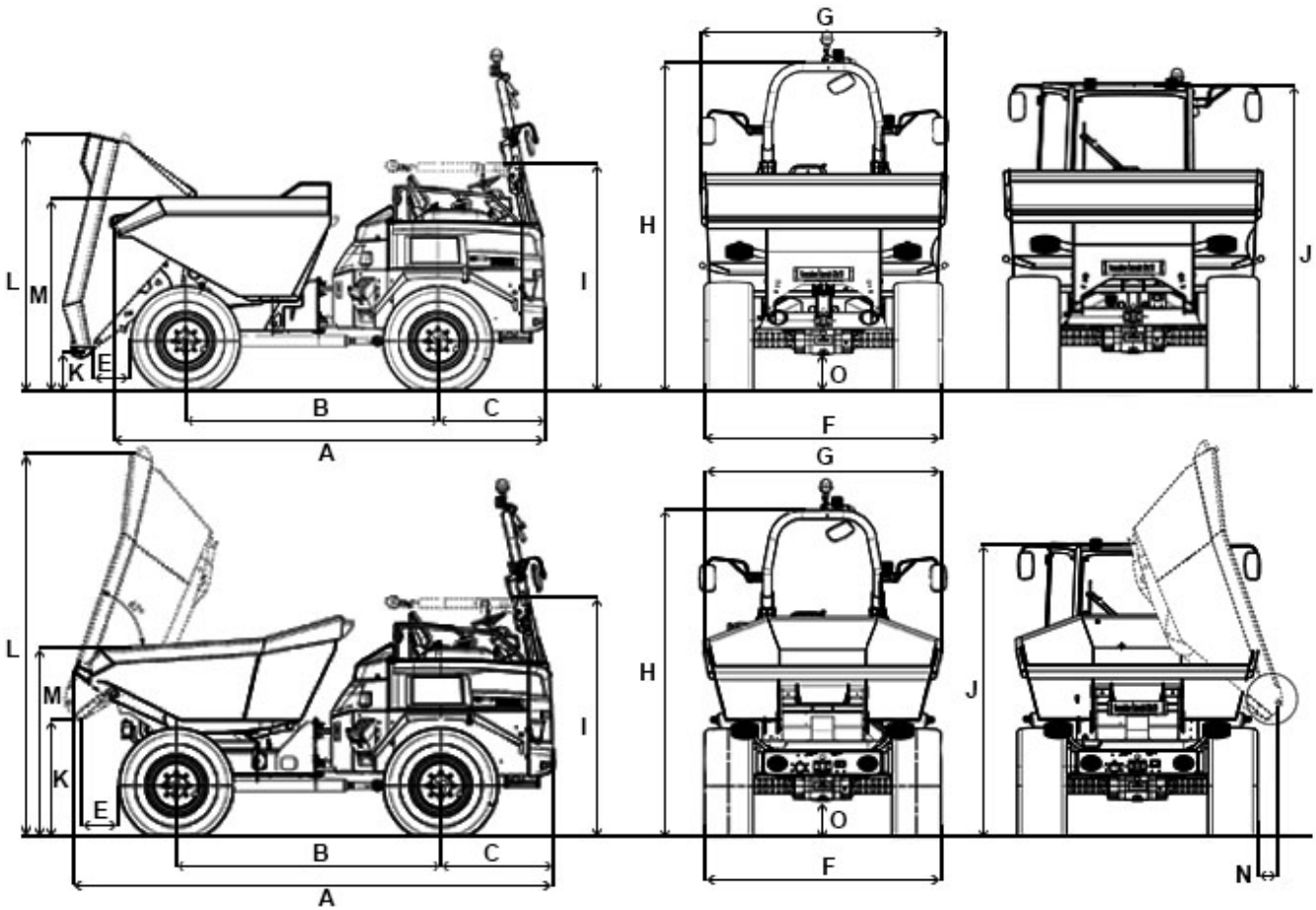


DV90 Technical specifications

	Front tip skip	Swivel tip skip
Operating data		
Payload kg	9,000	9,000
Skip capacity - stroke l	3,750	3,300
Skip capacity - heaped l	4,600	4,350
Skip capacity - water measure l	2,400	2,050
Engine / Motor		
Engine / Motor manufacturer	DEUTZ	DEUTZ
Engine / Motor type	4L	4L
Engine / Motor	water-cooled 4-cylinder turbo-diesel	water-cooled 4-cylinder turbo-diesel
Engine performance kW	55.4	55.4
Displacement cm ³	2,900	2,900
Engine RPM rpm	2200	2200
Emissions	level 3b / Tier IV final	level 3b / Tier IV final
Traction drive	4WD / hydrostatic	4WD / hydrostatic
Travel speed max. km/h	30	30
Articulation angle °	28.3	29
Pendulum angle °	11	11
Turning radius mm	6,760	6,491
Gradeability %	50	50
Tires	500/60-22.5	500/60-22.5
L x W x H mm	4,622 / 2,420 / 3,307	4,622 / 2,420 / 3,307
Steering pump	axial piston pump	axial piston pump
Flow rate l/min	123	123
Operating pressure bar	480	480
Duty pump	gear pump	gear pump
Flow rate l/min	70.2	70.2
Operating pressure bar	240	240
Tank capacity l	80	80
Sound level (L _{WA}) dB(A)	101	101



DV90 Dimensions



		Front tip skip	Swivel tip skip
A	Overall length ROPS	4,660 mm	4,903 mm
A	Overall length Cabin	2,945 mm	4,991 mm
B	Wheelbase	2,700 mm	2,700 mm
C	Rear overhang	1,157 mm	1,157 mm
E	Dumping distance	549 mm	457 mm
F	Width	2,420 mm	2,420 mm
G	Skip width	2,524 mm	2,453 mm
H	Height ROPS	3,307 mm	3,307 mm
I	Height ROPS tilted	2,405 mm	2,405 mm



**WACKER
NEUSON**
all it takes!

J	Height Cabin	2,945 mm	2,944 mm
K	Dump height max.	325 mm	1,221 mm
L	Skip height tilted	2,718 mm	3,979 mm
M	Skip height not tilted	2,041 mm	2,230 mm
O	Ground clearance	358 mm	358 mm
-	Dump angle	48 °	48 °

Please note

that product availability can vary from country to country. It is possible that information / products may not be available in your country. More detailed information on engine power can be found in the operator's manual; the stated power may vary due to specific operating conditions.

Subject to alterations and errors excepted. Applicable also to illustrations.

Copyright © 2018 Wacker Neuson SE.