



ENGINE

Model	Isuzu AR-4HK1X
Emissions Certification	Tier 4 Final
Fuel	Requires ultra-low sulfur fuel B5 biodiesel tolerant
Type	Water-cooled, 4-cycle diesel, high pressure common rail system – electric control. VGT Turbocharger w/ air cooled intercooler, SCR system
Cylinders	4-cylinder in-line
Displacement	317 in ³ (5.2 L)
Bore/Stroke	4.53 x 4.92 in (115 x 125 mm)
Fuel injection	Direct injection – electronic
Fuel filter	Replaceable, full flow spin-on cartridge
Air filter	Dry type element w/ warning restriction indicator
Oil filter	Replaceable, full flow spin-on cartridge
Engine gradeability:	
Side-to-side	35°
Fore and aft	35°
Net horsepower – SAE J1349 @ 1800 RPM:	160 hp (119.3 kW)
Net max. torque – SAE J1349 @ 1600 RPM:	458 lbf-ft (621 N-m)
Cooling operating range:	
	113° to -4°F (45° to -20°C)
Oil	Requires low-ash oil CJ-4

DRIVETRAIN

Travel control	Dual stage relief/ counter balance design
Brakes	Mechanical disc
Service brakes	SAHR disc – each motor
Two speed travel:	
Max. high speed	3.5 mph (5.6 km/h)
Max. low speed	2.1 mph (3.4 km/h)
	Automatic downshift
Drawbar pull	42,300 lbf (188 kN)
Gradeability	70% – 35° Slope

ELECTRICAL

Voltage	24 Volts
Alternator rating	50 amp
Batteries	2 x 12 Volt
Battery reserve capacity	92 Ah/5 hour
Work lights – 4	24 Volt/70 watt
	1 boom, 1 upper, 2 cab

OPERATOR ENVIRONMENT

Air conditioner output	18,100 BTU/hr
Heater output	20,150 BTU/hr
Sound level inside cab – ISO6396	70 dBA
Electrical outlet	12 Volt
Cab interior light	10 watt
Rear view camera	Standard
Monitor:	
	Rear view and side view – optional camera display; Mode 1: work mode; Travel mode; Attachment selection; Auto idle indicator; Fuel consumption gauge; Power boost icon; Fuel bar graph; Oil temperature bar graph; DEF/AdBlue bar graph; Auto glow indicator; Auxiliary mode display; Hour meter; Camera angle indicator; Mode 2: free swing/swing lock indicator; Light icon; Wiper icon; Mute icon; Seat belt icon; Warning messages; Time and date; Water temperature bar graph; DEF/AdBlue refill icon; Anti-theft icon; DTC indicator; Low output icon; SCR cleaning icon; SCR warning icons; Freeze protection; Trip meter; Pressure reading.

Seat:

High-back seat w/ heat and air suspension;
Adjustments: 65° tilt, manual weight, seat
height, headrest, lumbar support, backrest
angle, pivoting armrests linked to consoles;
Retractable seat belt and control consoles
adjust independently of seat.

ATTACHMENT

Boom	28 ft 5 in (8 700 mm)
Arm options:	
Standard	21 ft 0 in (6.4 m)
Bucket digging force*	14,600 lbf (65 kN)

NOTE: *Digging force ratings based on ISO6015.

OPERATING WEIGHT

Operating weight	51,900 lb (23 500 kg)
w/ shoes	2 ft 7 in (800 mm)
w/ boom	28 ft 5 in (8 700 mm)
w/ arm	21 ft 0 in (6.4 m)
w/ bucket	52,650 lb (23 840 kg)
w/ counterweight	10,400 lb (4 700 kg)

NOTE: W/ operator/full fuel/standard equipment.

GROUND PRESSURE

@ Standard operating weight 6.4 psi (0.37 bar)
w/ 31.5 in (800 mm) triple grouser shoes

HYDRAULICS

System design	Open center
Main pumps	Two-variable displacement/ axial piston pumps w/ regulating system
Max. rated flow x 2	55.7 gpm (211 L/min)
System pressures:	
Boom, arm and bucket	4,970 psi (350 bar)
Travel circuits	4,970 psi (350 bar)
Swing circuits	3,480 psi (245 bar)
Pilot pump	1 x gear design
Max. capacity	4.8 gpm (18 L/min)
Controls	w/ boom/arm holding valve
Right track travel, bucket, boom and arm acceleration.	1 x Four-spool section
Left track travel, auxiliary, swing, boom and arm acceleration.	1 x Five-spool section
Work mode selections	SP: Speed Priority H: Heavy-Duty A: Automatic
Swing motor	Fixed displacement axial piston
Swing final drive	Planetary gear reduction
Travel motor	Variable displacement axial piston motor

HYDRAULIC CYLINDERS

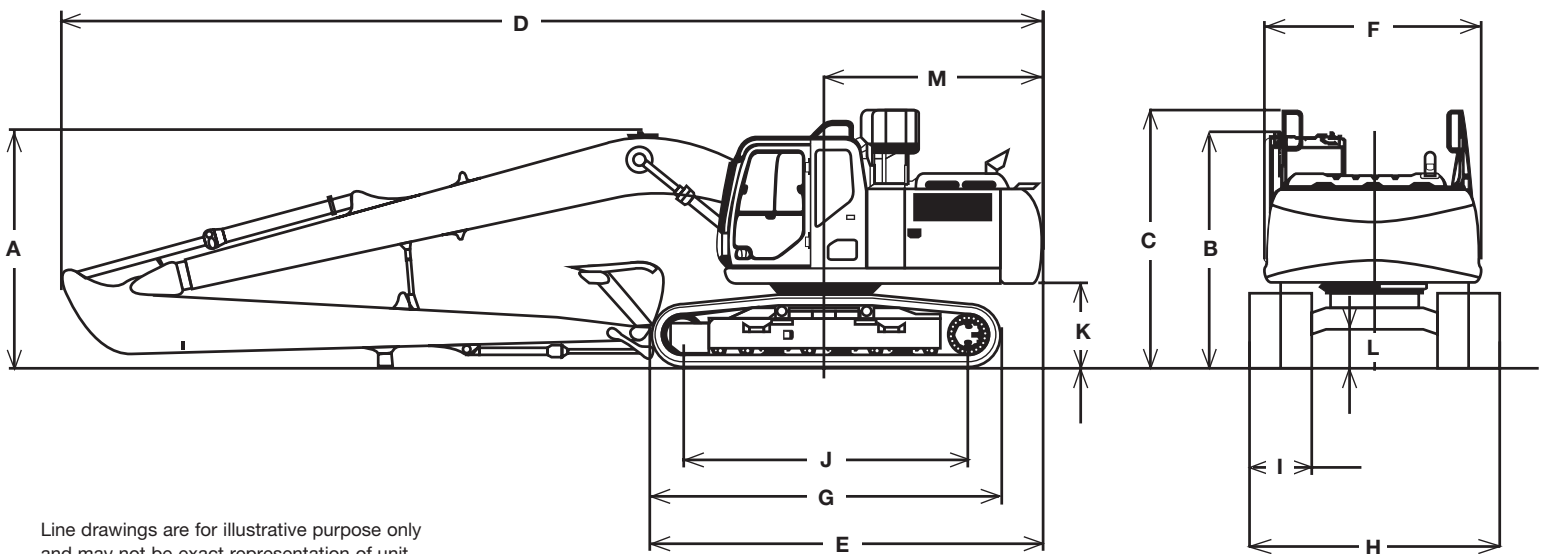
Boom cylinders	Two (2)
Cylinder bore	4.7 in (120 mm)
Cylinder rod diameter	3.3 in (85 mm)
Cylinder stroke	49.4 in (1 255 mm)
Arm cylinder	Two (2)
Cylinder bore	5.7 in (145 mm)
Cylinder rod diameter	4.1 in (105 mm)
Cylinder stroke	64.0 in (1 627 mm)
Bucket cylinder	One (1)
Cylinder bore	3.7 in (95 mm)
Cylinder rod diameter	2.6 in (65 mm)
Cylinder stroke	34.7 in (881 mm)

SERVICE CAPACITIES

Fuel tank	108.3 gal (410 L)
Hydraulic system	66.0 gal (250 L)
Hydraulic tank	38.8 gal (147 L)
Engine oil w/ filter	6.1 gal (23.1 L)
Swing drive	1.3 gal (5 L)
Final drive (per side)	1.3 gal (5 L)
Cooling system	8.3 gal (31.4 L)
DEF Tank	31.7 gal (120 L)

OTHER SPECIFICATIONS

Swing speed	11.5 RPM
Swing torque	38,500 lbf-ft (52 200 kN-m)
Swing brake	Mechanical disc
Undercarriage:	
Length	14 ft 8 in (4 470 mm)
Track gauge	7 ft 10 in (2 390 mm)
Carrier rollers	2
Track rollers	8
Shoes – triple grouser	49
Shoe width – std.	2 ft 7 in in (800 mm)
Link pitch	7.5 in (190 mm)
Track:	
Chain	Grease lubricated/strutted
Guides	Single
Adjustment	Hydraulic

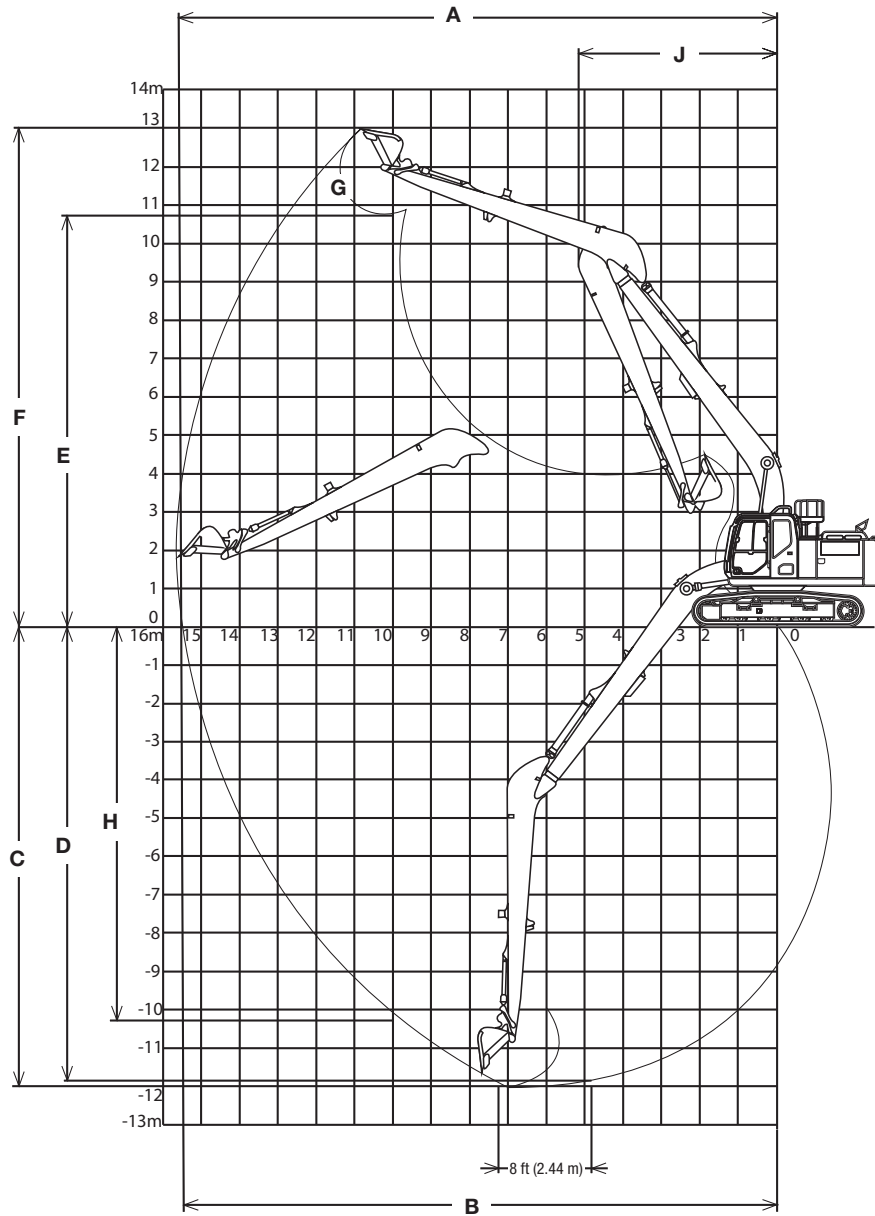


Line drawings are for illustrative purpose only and may not be exact representation of unit.

DIMENSIONS

	21 ft 0 in (6 400 mm) Arm
A. Overall height	9 ft 10 in (3 000 mm)
B. Cab height	9 ft 10 in (3 000 mm)
C. Overall height to top of guardrail	10 ft 9 in (3 280 mm)
D. Overall length – with attachment	41 ft 1 in (12 520 mm)
E. Overall length – without attachment	16 ft 5 in (5 000 mm)
F. Width of upper structure	9 ft 1 in (2 770 mm)
G. Track overall length	14 ft 8 in (4 470 mm)
H. Track overall width with 31.5 in (800 mm) shoes	10 ft 6 in (3 190 mm)
I. Track shoe width	2 ft 7 in (800 mm)
J. Center to center – idler to sprocket	12 ft 0 in (3 660 mm)
K. Upper structure ground clearance	3 ft 5 in (1 050 mm)
L. Minimum ground clearance	1 ft 5 in (440 mm)
M. Rear tail swing radius	9 ft 1 in (2 770 mm)
Operating weight*	51,900 lb (23 500 kg)
Ground pressure	6.4 psi (0.37 bar)

NOTE: *With 28 ft 5 in (8 700 mm) boom, 31.5 in (800 mm) track shoe, 1,433 lb (650 kg) bucket, 165 lb (75 kg) operator, full fuel and standard equipment.



PERFORMANCE SPECS

21 ft 0 in (6 400 mm) Arm

A. Maximum dig radius	51 ft 2 in (15 600 mm)
B. Dig radius at groundline	50 ft 9 in (15 490 mm)
C. Maximum dig depth	39 ft 4 in (12 010 mm)
D. Dig depth – 8 ft 0 in (2.44 m) level bottom	39 ft 0 in (11 890 mm)
E. Dump height	35 ft 2 in (10 730 mm)
F. Maximum reach height	45 ft 6 in (12 970 mm)
G. Bucket rotation	178°
H. Maximum vertical wall dig depth	33 ft 8 in (10 300 mm)
J. Minimum swing radius	17 ft 1 in (5 190 mm)
Arm digging force	10,300 lbf (46 kN)
Bucket digging force	14,600 lbf (65 kN)

LIFT CAPACITIES

21 ft 0 in (6.4 m) Lift capacities using a 750 lb (340 kg) bucket, 10,406 lb (4 720 kg) counterweight.

Load (Lift Point Height)	MINIMUM REACH		5 ft (1.5 m)		10 ft (3 m)		15 ft (4.5 m)		20 ft (6 m)		25 ft (7.5 m)		
	@	END	SIDE	END	SIDE	END	SIDE	END	SIDE	END	SIDE	END	SIDE
+40 ft (12 m)	36 ft 5 in (11.1 m)	2,205 lb (1 000 kg)	2,205 lb (1 000 kg)										
+35 ft (10.5 m)	36 ft 1 in (11 m)	3,527 lb (1 600 kg)	3,527 lb (1 600 kg)										
+30 ft (9 m)	36 ft 1 in (11 m)	3,748 lb (1 700 kg)	3,748 lb (1 700 kg)										
+25 ft (7.5 m)	35 ft 6 in (10.8 m)	3,880 lb (1 760 kg)	3,880 lb (1 760 kg)										
+20 ft (6 m)	33 ft 1 in (10.1 m)	4,211 lb (1 910 kg)	4,211 lb (1 910 kg)										
+15 ft (4.5 m)	28 ft 8 in (8.8 m)	5,203 lb (2 360 kg)	5,203 lb (2 360 kg)										
+10 ft (3 m)	5 ft 10 in (1.8 m)	8,444 lb (3 830 kg)	8,444 lb (3 830 kg)			11,751 lb (5 330 kg)	11,751 lb (5 330 kg)	7,650 lb (3 470 kg)	7,650 lb (3 470 kg)	8,422 lb (3 820 kg)	8,422 lb (3 820 kg)	6,945 lb (3 150 kg)	6,945 lb (3 150 kg)
+5 ft (1.5 m)	7 ft 0 in (2.1 m)	2,403 lb (1 090 kg)	2,403 lb (1 090 kg)			6,834 lb (3 100 kg)	6,834 lb (3 100 kg)	15,013 lb (6 810 kg)	15,013 lb (6 810 kg)	10,516 lb (4 770 kg)	10,340 lb (4 690 kg)	8,223 lb (3 730 kg)	7,540 lb (3 420 kg)
Groundline	3 ft 6 in (1.1 m)	2,249 lb (1 020 kg)	2,249 lb (1 020 kg)	2,403 lb (1 090 kg)	2,403 lb (1 090 kg)	5,115 lb (2 320 kg)	5,115 lb (2 320 kg)	12,787 lb (5 800 kg)	12,787 lb (5 800 kg)	12,302 lb (5 580 kg)	9,348 lb (4 240 kg)	9,392 lb (4 260 kg)	6,790 lb (3 080 kg)
-5 ft (-1.5 m)	0 ft (0 m)	3,836 lb (1 740 kg)	3,836 lb (1 740 kg)	4,034 lb (1 830 kg)	4,034 lb (1 830 kg)	5,930 lb (2 690 kg)	5,930 lb (2 690 kg)	10,714 lb (4 860 kg)	10,714 lb (4 860 kg)	13,558 lb (6 150 kg)	8,532 lb (3 870 kg)	10,229 lb (4 640 kg)	6,217 lb (2 820 kg)
-10 ft (-3 m)	0 ft (0 m)	5,071 lb (2 300 kg)	5,071 lb (2 300 kg)	5,534 lb (2 510 kg)	5,534 lb (2 510 kg)	7,143 lb (3 240 kg)	7,143 lb (3 240 kg)	11,001 lb (4 990 kg)	11,001 lb (4 990 kg)	13,823 lb (6 270 kg)	8,069 lb (3 660 kg)	9,877 lb (4 480 kg)	5,864 lb (2 660 kg)
-15 ft (-4.5 m)	0 ft (0 m)	6,437 lb (2 920 kg)	6,437 lb (2 920 kg)	7,033 lb (3 190 kg)	7,033 lb (3 190 kg)	8,576 lb (3 890 kg)	8,576 lb (3 890 kg)	12,236 lb (5 550 kg)	12,015 lb (5 450 kg)	13,669 lb (6 200 kg)	7,959 lb (3 610 kg)	9,700 lb (4 400 kg)	5,710 lb (2 590 kg)
-20 ft (-6 m)	0 ft (0 m)	7,650 lb (3 470 kg)	7,650 lb (3 470 kg)	8,444 lb (3 830 kg)	8,444 lb (3 830 kg)	10,251 lb (4 650 kg)	10,251 lb (4 650 kg)	14,088 lb (6 390 kg)	12,566 lb (5 700 kg)	13,713 lb (6 220 kg)	8,025 lb (3 640 kg)	9,700 lb (4 400 kg)	5,732 lb (2 600 kg)
-25 ft (-7.5 m)	0 ft (0 m)	8,841 lb (4 010 kg)	8,841 lb (4 010 kg)	10,516 lb (4 770 kg)	10,516 lb (4 770 kg)	12,743 lb (5 780 kg)	12,743 lb (5 780 kg)	17,108 lb (7 760 kg)	12,941 lb (5 870 kg)	13,669 lb (6 200 kg)	8,267 lb (3 750 kg)	9,855 lb (4 470 kg)	5,886 lb (2 670 kg)
-30 ft (-9 m)	2 ft 10 in (0.9 m)	10,935 lb (4 960 kg)	10,935 lb (4 960 kg)	12,390 lb (5 620 kg)	12,390 lb (5 620 kg)	15,741 lb (7 140 kg)	15,741 lb (7 140 kg)	16,424 lb (7 450 kg)	13,514 lb (6 130 kg)	12,456 lb (5 650 kg)	8,664 lb (3 930 kg)	9,833 lb (4 460 kg)	6,217 lb (2 820 kg)
-35 ft (-10.5 m)	8 ft 9 in (2.7 m)	16,777 lb (7 610 kg)	16,777 lb (7 610 kg)			18,409 lb (8 350 kg)	18,409 lb (8 350 kg)	13,470 lb (6 110 kg)	13,470 lb (6 110 kg)	10,296 lb (4 670 kg)	9,259 lb (4 200 kg)	7,981 lb (3 620 kg)	6,768 lb (3 070 kg)

LIFT CAPACITIES

21 ft 0 in (6.4 m) Lift capacities using a 750 lb (340 kg) bucket, 10,406 lb (4 720 kg) counterweight.

Load (Lift Point Height)	30 ft (9 m)		35 ft (10.5 m)		40 ft (12 m)		45 ft (13.5 m)		50 ft (15 m)		MAXIMUM REACH			
	END	SIDE	END	SIDE	END	SIDE	END	SIDE	END	SIDE	@	END	SIDE	
+40 ft (12 m)												37 ft 8 in (11.5 m)	2,116 lb* (960 kg)*	2,116 lb* (960 kg)*
+35 ft (10.5 m)					3,395 lb (1 540 kg)	3,395 lb (1 540 kg)						41 ft 8 in (12.7 m)	1,984 lb* (900 kg)*	1,984 lb* (900 kg)*
+30 ft (9 m)					3,792 lb (1 720 kg)	3,792 lb (1 720 kg)	2,205 lb (1 000 kg)	2,205 lb (1 000 kg)				44 ft 7 in (13.6 m)	1,896 lb* (860 kg)*	1,896 lb* (860 kg)*
+25 ft (7.5 m)					3,924 lb (1 780 kg)	3,924 lb (1 780 kg)	3,748 lb (1 700 kg)	3,109 lb (1 410 kg)				46 ft 10 in (14.3 m)	1,874 lb* (850 kg)*	1,874 lb* (850 kg)*
+20 ft (6 m)			4,189 lb (1 900 kg)	4,189 lb (1 900 kg)	4,123 lb (1 870 kg)	3,990 lb (1 810 kg)	3,990 lb (1 810 kg)	3,020 lb (1 370 kg)				48 ft 6 in (14.8 m)	1,896 lb* (860 kg)*	1,896 lb* (860 kg)*
+15 ft (4.5 m)	5,115 lb (2 320 kg)	5,115 lb (2 320 kg)	4,696 lb (2 130 kg)	4,696 lb (2 130 kg)	4,409 lb (2 000 kg)	3,792 lb (1 720 kg)	4,277 lb (1 940 kg)	2,888 lb (1 310 kg)	2,381 lb (1 080 kg)	2,138 lb (970 kg)		49 ft 6 in (15.1 m)	1,940 lb* (880 kg)*	1,940 lb* (880 kg)*
+10 ft (3 m)	5,997 lb (2 720 kg)	5,997 lb (2 720 kg)	5,335 lb (2 420 kg)	4,652 lb (2 110 kg)	4,828 lb (2 190 kg)	3,549 lb (1 610 kg)	4,497 lb (2 040 kg)	2,734 lb (1 240 kg)	3,042 lb (1 380 kg)	2,050 lb (930 kg)		50 ft 2 in (15.3 m)	2,006 lb* (910 kg)*	1,940 lb (880 kg)
+5 ft (1.5 m)	6,856 lb (3 110 kg)	5,622 lb (2 550 kg)	5,930 lb (2 690 kg)	4,299 lb (1 950 kg)	5,291 lb (2 400 kg)	3,307 lb (1 500 kg)	4,365 lb (1 980 kg)	2,557 lb (1 160 kg)	3,263 lb (1 480 kg)	1,962 lb (890 kg)		50 ft 2 in (15.3 m)	2,138 lb* (970 kg)*	1,852 lb (840 kg)
Groundline	7,650 lb (3 470 kg)	5,137 lb (2 330 kg)	6,437 lb (2 920 kg)	3,946 lb (1 790 kg)	5,181 lb (2 350 kg)	3,086 lb (1 400 kg)	4,211 lb (1 910 kg)	2,403 lb (1 090 kg)	2,998 lb (1 360 kg)	1,874 lb (850 kg)		49 ft 10 in (15.2 m)	2,315 lb* (1 050 kg)*	1,830 lb (830 kg)
-5 ft (-1.5 m)	7,826 lb (3 550 kg)	4,740 lb (2 150 kg)	6,173 lb (2 800 kg)	3,682 lb (1 670 kg)	4,982 lb (2 260 kg)	2,888 lb (1 310 kg)	4,079 lb (1 850 kg)	2,293 lb (1 040 kg)				48 ft 10 in (14.9 m)	2,557 lb* (1 160 kg)*	1,852 lb (840 kg)
-10 ft (-3 m)	7,518 lb (3 410 kg)	4,453 lb (2 020 kg)	5,952 lb (2 700 kg)	3,483 lb (1 580 kg)	4,828 lb (2 190 kg)	2,756 lb (1 250 kg)	3,990 lb (1 810 kg)	2,205 lb (1 000 kg)				47 ft 2 in (14.4 m)	2,866 lb* (1 300 kg)*	1,962 lb (890 kg)
-15 ft (-4.5 m)	7,385 lb (3 350 kg)	4,321 lb (1 960 kg)	5,864 lb (2 660 kg)	3,373 lb (1 530 kg)	4,784 lb (2 170 kg)	2,712 lb (1 230 kg)	3,990 lb (1 810 kg)	2,227 lb (1 010 kg)				45 ft 3 in (13.8 m)	3,329 lb* (1 510 kg)*	2,138 lb (970 kg)
-20 ft (-6 m)	7,385 lb (3 350 kg)	4,343 lb (1 970 kg)	5,864 lb (2 660 kg)	3,395 lb (1 540 kg)	4,828 lb (2 190 kg)	2,756 lb (1 250 kg)						42 ft 3 in (12.9 m)	4,012 lb* (1 820 kg)*	2,447 lb (1 110 kg)
-25 ft (-7.5 m)	7,496 lb (3 400 kg)	4,475 lb (2 030 kg)	6,019 lb (2 730 kg)	3,549 lb (1 610 kg)								38 ft 8 in (11.8 m)	5,049 lb (2 290 kg)	2,932 lb (1 330 kg)
-30 ft (-9 m)	7,694 lb (3 490 kg)	4,784 lb (2 170 kg)										34 ft 1 in (10.4 m)	6,151 lb* (2 790 kg)*	3,770 lb (1 710 kg)
-35 ft (-10.5 m)												27 ft 11 in (8.5 m)	6,482 lb* (2 940 kg)*	5,401 lb (2 450 kg)

NOTE: *Lift capacities do not exceed 75% of the minimum tipping load or 87% of the hydraulic lift capacity. Capacities that are marked with an asterisk are hydraulic limited.

STANDARD EQUIPMENT

ENGINE

Isuzu AR-4HK1X
Tier 4 Final Certified
Selective Catalytic Reduction – SCR
Diesel Oxidation Catalyst – DOC
Cooled Exhaust Gas Recirculation – CEGR
EGR Coolers
Four-cylinder turbo-charged diesel
VGT turbocharger
Electronic fuel injection
High pressure common rail system
Neutral safety start
Auto-engine warm up
Glow-plug pre-heat
Fuel Economy Assist System – FEA
Engine Protection Feature – EPF
Dual-stage fuel filtration
Dual element air filter
Remote oil filter
Drain for fuel tank
Remote engine oil drain
500-hour engine oil change interval
24 Volt system
Engine oil sample port
Battery disconnect switch
Emergency engine stop
External Fuel and DEF gauges
Fan housing
Fuel cooler
Fuel filter restriction indicator
Fuel shut-off valve
Idle start
Radiator, oil cooler,
intercooler – protective screen

FUEL ECONOMY SYSTEMS

Engine Idle/Fuel Economy System:
Auto-idle
One-touch idle
Auto-idle shut-down
BEC – Boom Economy Control
AEC – Auto Economy Control
SWC – Swing Relief Control
SSC – Spool Stroke Control

HYDRAULICS

Auto power boost
Auto swing priority
Arm speed assistance – 2 pump flow
Auxiliary flow control
Auxiliary valve
Boom speed assistance – 2 pump flow
Bucket curl assist
Control levers pre-wired for
auxiliary hydraulics
Electronically controlled hydraulic pumps
Holding valve – Boom and Arm
Fire wall
Hydraulic filter restriction indicator
Neutral pump de-stroke
Oil cooler

Power save
Pump stand-by pressure
Auto travel speed change
Selectable work modes
Free swing
Hydraulic oil sample port
Control pattern selector
Pre-set auxiliary pump settings
Auxiliary valve
5,000-hour hydraulic oil change interval
1,000-hour hydraulic filter change interval
SAHR brake

UPPER STRUCTURE

ISO mirrors – 3
Cab ISO-Mounts – fluid and spring
Upper mounted work light – 70 watt
Swivel guard belly pan
Center cover – over main CV
Fuel tank belly pan
Handrail – RH access
ISO guard rails
Lifting eyes for counterweight
Lockable fuel cap, service doors and tool box

ATTACHMENTS

Boom – 28 ft 5 in (8 700 mm)
Arm – 21 ft 0 in (6.4 m)
Heavy-duty bucket linkage
Boom mounted work light – 70 watt
Auxiliary pipe brackets
Centralized grease fittings
Attachment cushion valve
Arm and boom regeneration
Bucket anti-clatter device
Chrome pins
Easy Maintenance System (EMS) bushings
Teardrop pin retention keepers

OPERATOR ENVIRONMENT

ROPS protection
FOPS cab top guard – Level 1
Pressurized cab
Face vent
Cab lights – 2
Interior dome light
One-touch lock front window
One piece window – right
Safety glass windows
Gate lock hydraulic activation
Emergency exit and hammer
Clear polycarbonate roof window
with sunshade
AC/heat/defrost with auto climate control
LED Color monitor – 7 in (180 mm)
26 selectable languages for monitor
On-board diagnostic system
10 programmable attachments settings on
monitor – 5 single flow, 5 dual flow
Seatbelt – 3 in (76 mm)
Heated high-back cloth seat with air
suspension and 65° tilt adjustment
Sliding seat – 3.54 in (90 mm)
Adjustable armrests

Tilting consoles – 4-position
Sliding cockpit – 3.15 in (80 mm)
Low-effort joystick controls
Controls pre-wired for auxiliary
Straight travel
AM/FM radio with antenna, 2 speakers and
Bluetooth capabilities
Aux-in port for personal electronics
Radio mute switch – joystick
Rear-view camera
Anti-theft system – start code system
Rubber floor mat
12 Volt electric outlet
24 Volt cigarette lighter
Windshield wiper/washer
Cup holder
Storage compartments
Warm/cool storage compartment
Travel alarm with cancel switch
Ignition keys
One key start & lock-up
Cab filter – external
Cab handrails
Operator's manual

UNDERCARRIAGE

Long undercarriage
31.5 in (800 mm) steel shoes,
triple semi-grouser
Full overlap turntable bearing tub
Single track chain guides
Hydraulic track adjustment
Sealed link chain
Steps
Carbody belly pan – swivel guard
X-pattern carbody
Lashing points – tie downs
Extra Filter Kit:
Engine oil filter
Filter wrench
Fuel filters
Grease gun
Green plug oil drain hose for
engine oil drain
Hydraulic return filter
Pilot circuit hydraulic filter

TELEMATICS

CASE SiteWatch™ Telematics – includes
hardware and a 3-yr Advanced
data subscription

OPTIONAL EQUIPMENT

ENGINE

Refueling pump
Air pre-cleaner – Cyclone
High ambient temperature cooling package

HYDRAULICS

Auxiliary hydraulics:
Secondary low-flow/joystick activated
Proportional hydraulic controls
Hose Burst Check Valve – HBCV

UNDERCARRIAGE

Track guides – triple

OPERATOR ENVIRONMENT

FOPS cab top guard – Level 2
Front grill guard – 2 x 2 in (50.8 x 50.8 mm) screen mesh
Front rock guard – vertical bars
Two piece/OPG 1
Front rock guard – vertical bars
One piece/OPG 2
Vandal guard (front window) with common key
Rain deflector – not available with Front guards
Sun visor
Side-view camera
LED Package:
Includes 1 Side view camera and 6 LED Lights – 2 front cab mounted, 2 rear mounted and 1 mounted on each side

CaseCE.com

©2016 CNH Industrial America LLC. All rights reserved. CASE is a trademark registered in the United States and many other countries, owned by or licensed to CNH Industrial N.V., its subsidiaries or affiliates. CNH Industrial Capital is a trademark in the United States and many other countries, owned by or licensed to CNH Industrial N.V., its subsidiaries or affiliates. Printed in U.S.A. Contains 10% post-consumer fiber.

IMPORTANT: CASE Construction Equipment Inc. reserves the right to change these specifications without notice and without incurring any obligation relating to such change. Availability of some models and equipment builds vary according to the country in which the equipment is used. The illustrations and text may include optional equipment and accessories and may not include all standard equipment. Your CASE dealer/distributor will be able to give you details of the products and their specifications available in your area.



CASE Construction Equipment is biodiesel-friendly. NOTE: All engines meet current EPA emissions regulations. All specifications are stated in accordance with SAE Standards or Recommended Practices, where applicable.



Always read the Operator's Manual before operating any equipment. Inspect equipment before using it, and be sure it is operating properly. Follow the product safety signs and use any safety features provided.

Form No. CCE201605CX210DLR

CX210D LR

7 of 7